

KITCHEN KIT
TRADE KITCHENS **MADE EASY**

TRUE HANDLELESS KITCHEN

Product and
Installation Guide

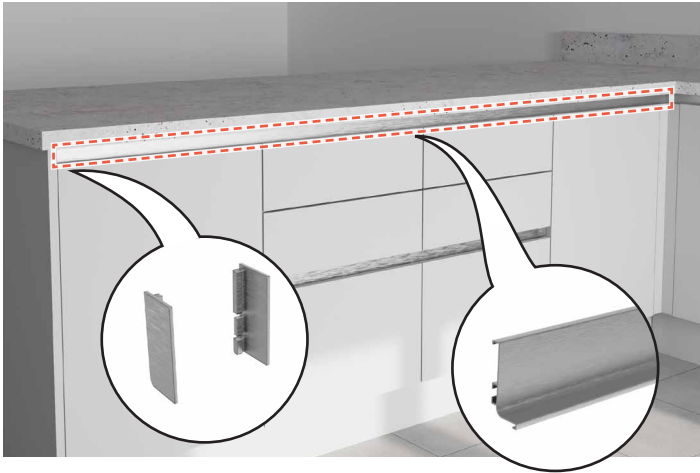


Issue 1 -
September 2023



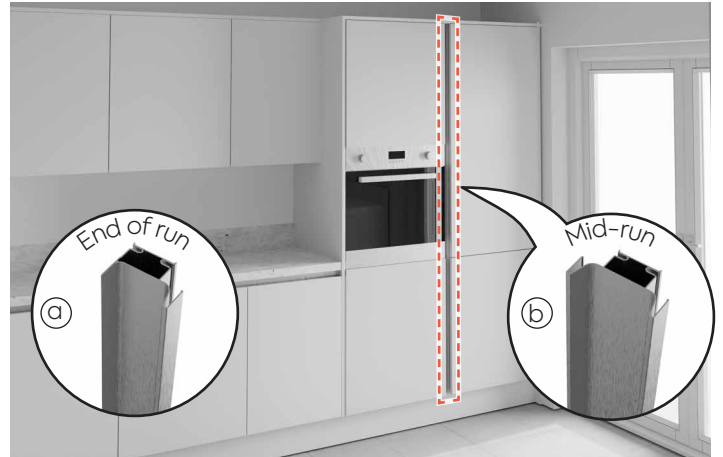
Gola Components

Worktop Rail



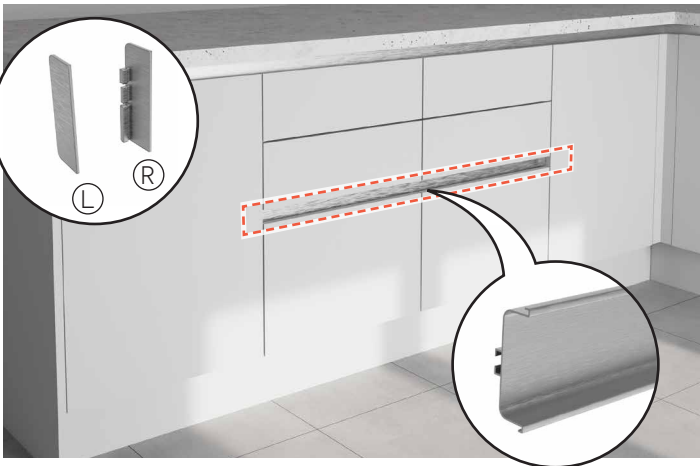
4.1m long for use under worktop.

Vertical Rails



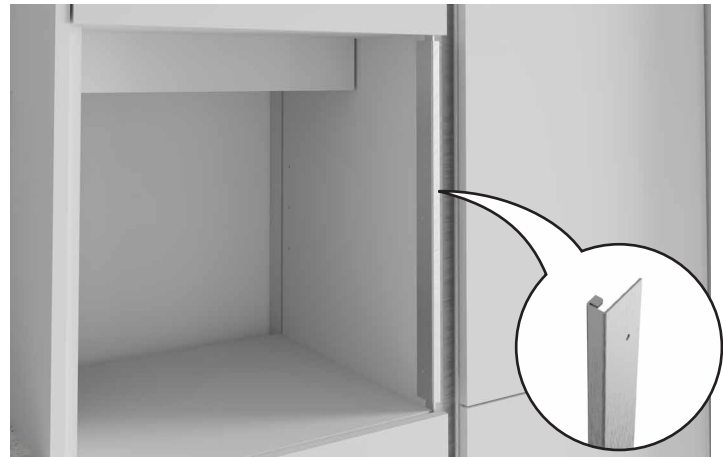
Two different profiles for use at end of a run (a), and mid-run (b).

Drawer Rail



For use on drawer units only - drawer rail 2.05m

Oven Profile



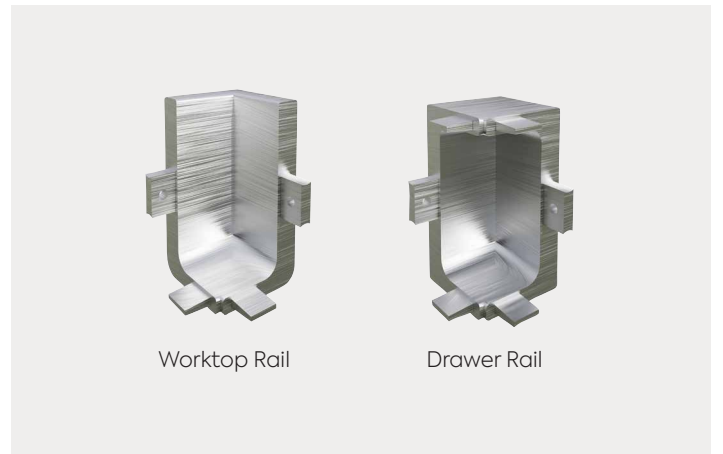
Used to secure an integrated appliance into position.

Fixing Clips



A two-part fitting, to attach worktop & drawer rails onto cabinets.

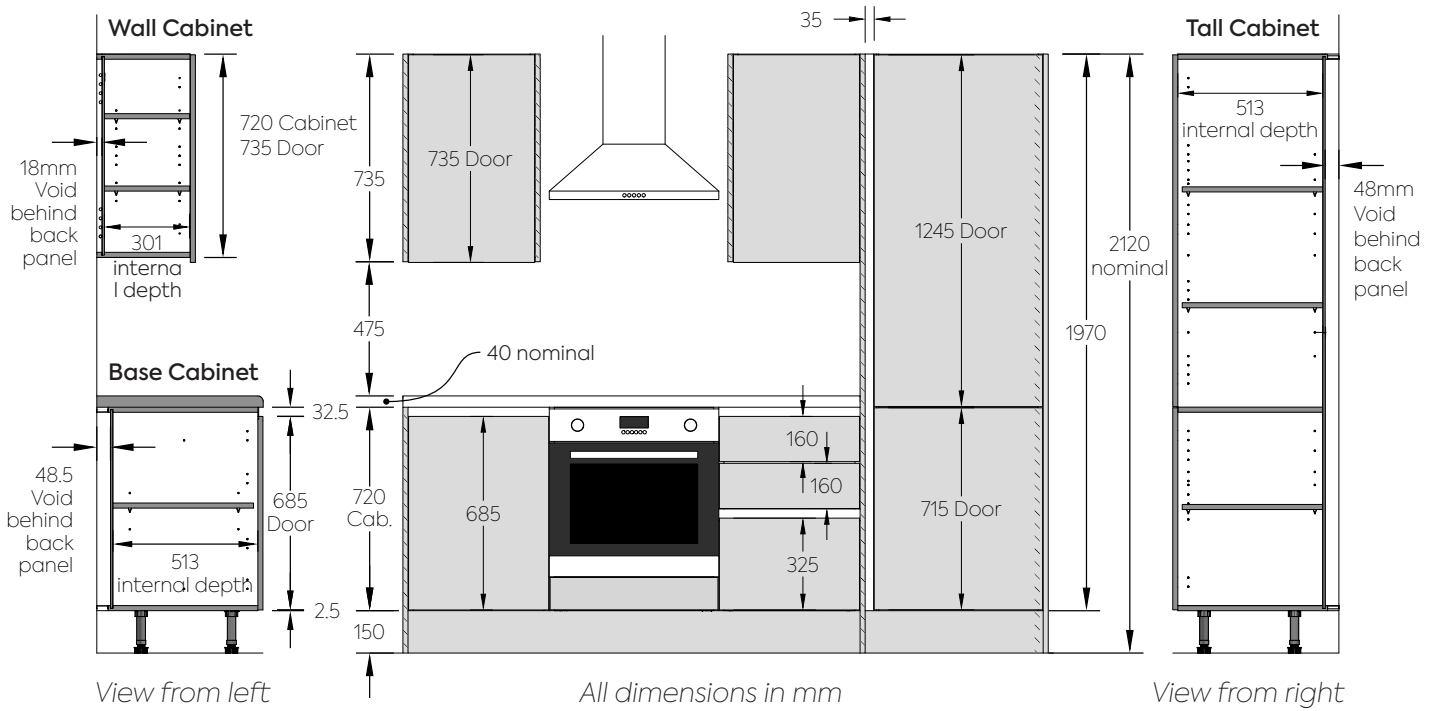
Corner Jointing Brackets



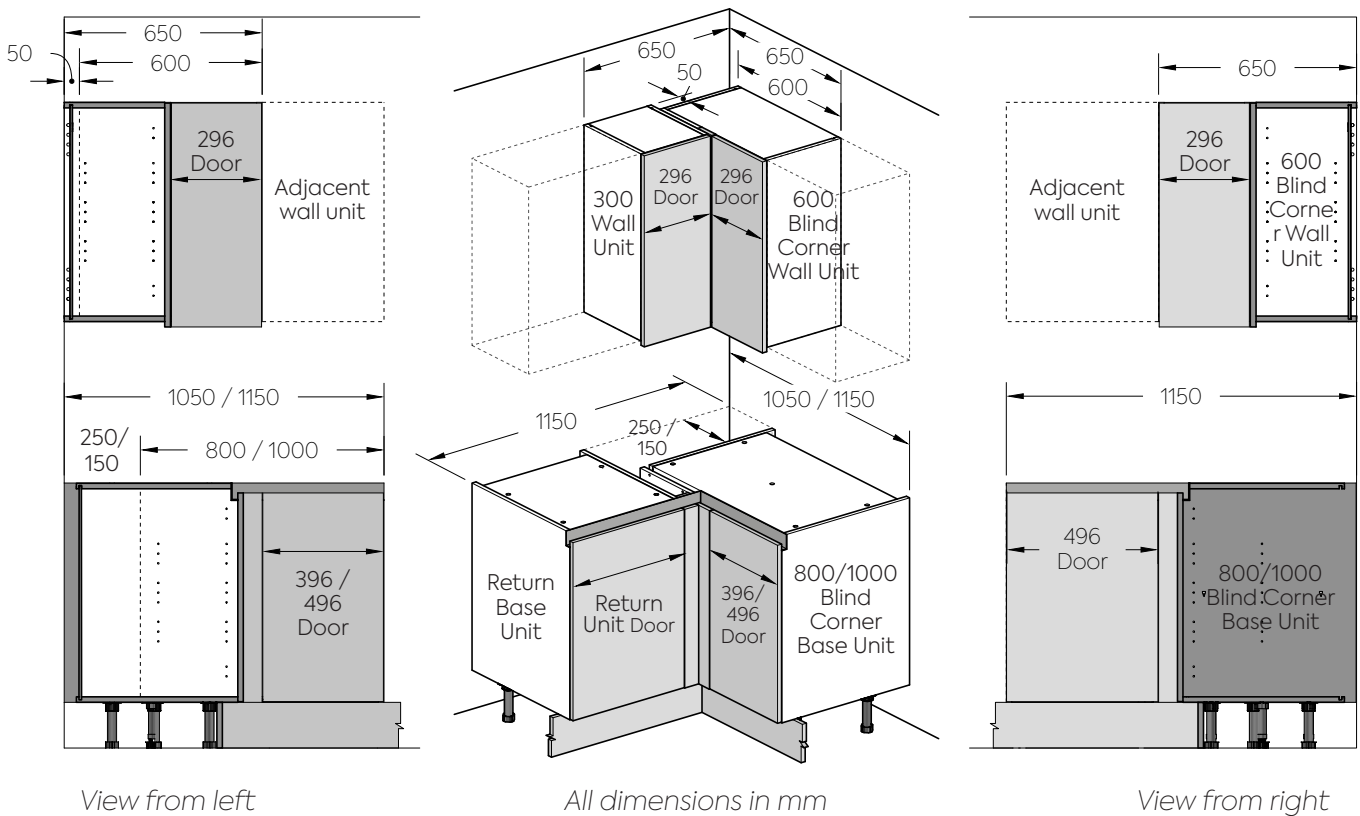
For internal corner joints.

Planning Dimensions

General Planning Dimensions

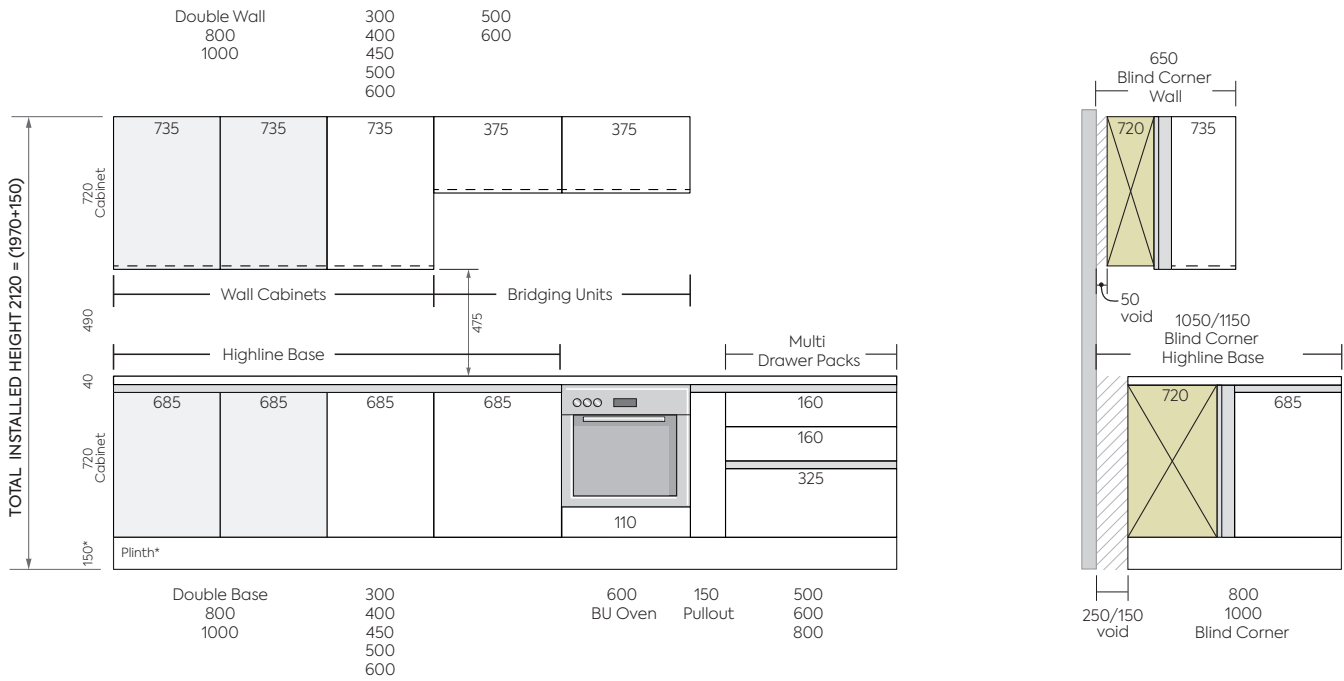


Corner Unit Planning Dimensions

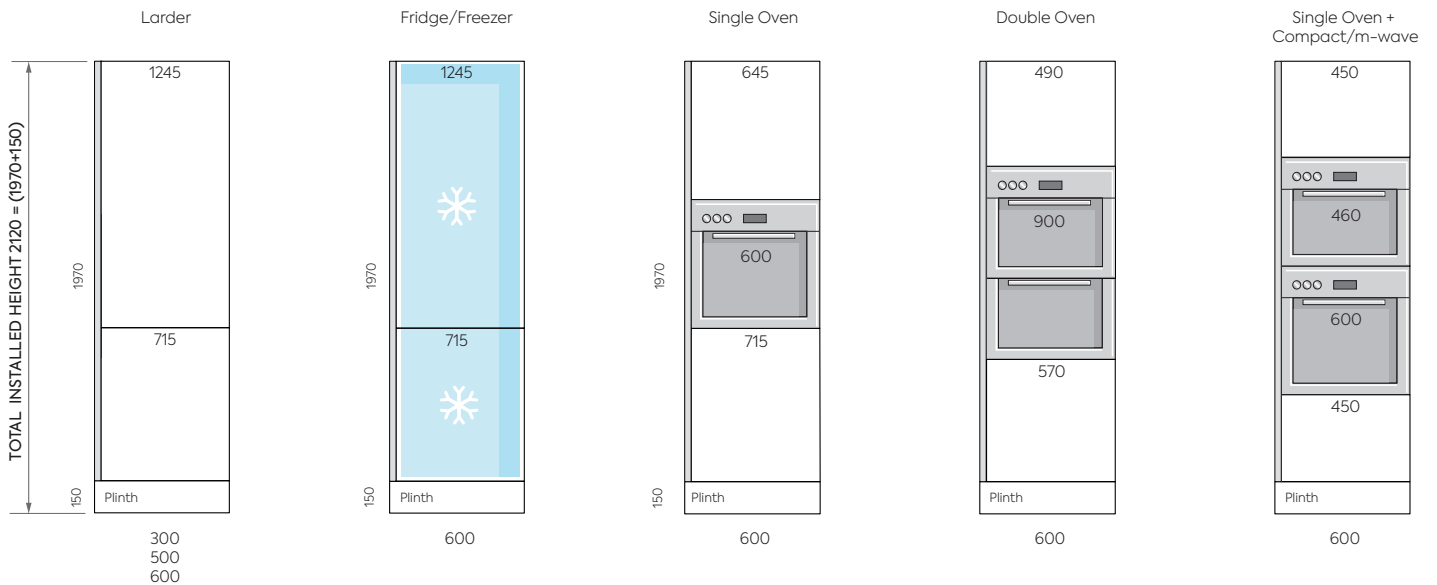


True Handleless Fascia Size Matrix

Door & Drawer Combinations

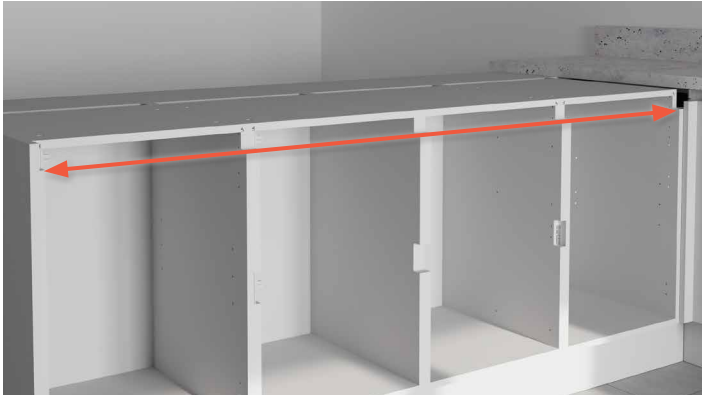


Tower Units

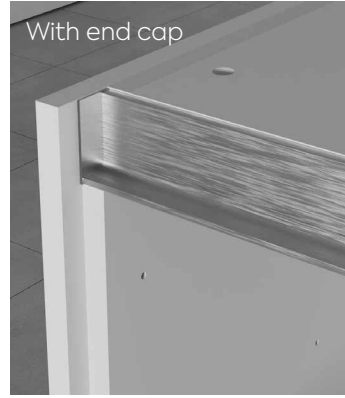


Note: The widths stated on tower units apply to the cabinets only - additional planning space needs to be allowed for the Gola rails.

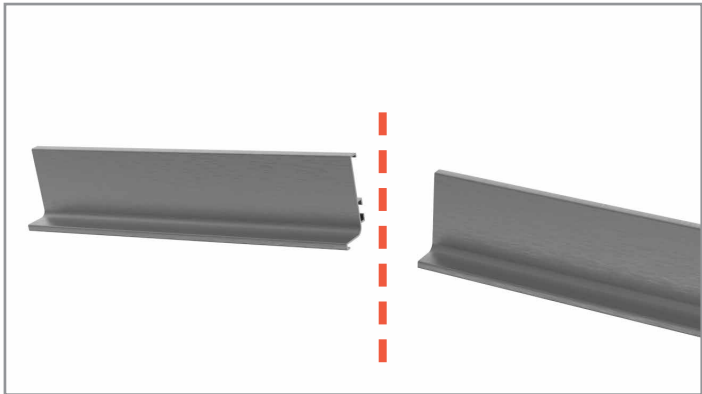
Worktop Rail Installation



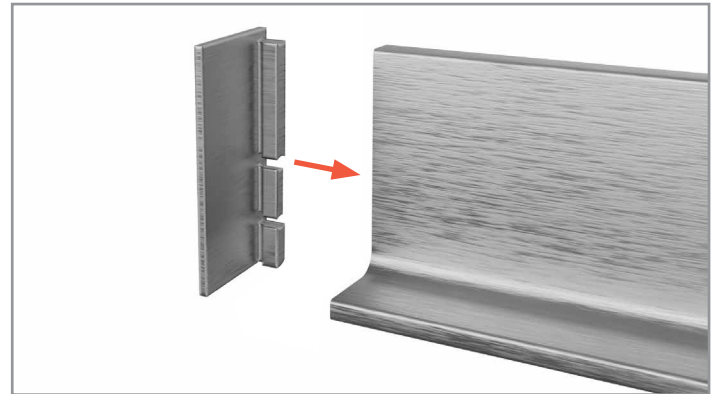
1. Carefully measure the distance between clad on décor panels.



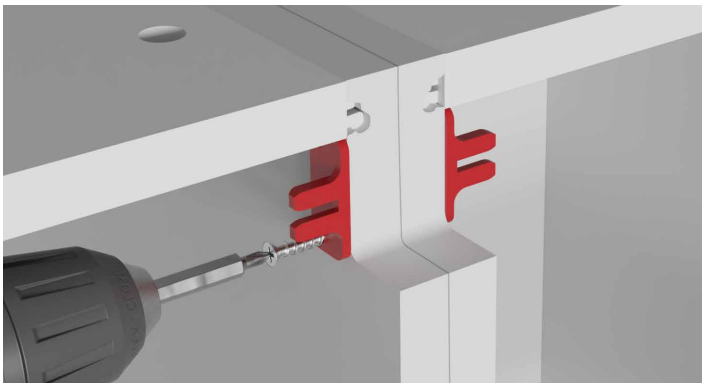
2. End caps are optional; subtract 2mm off the trim length for every end cap used



3. Cut Worktop Rail to required length using an aluminium cutting blade.



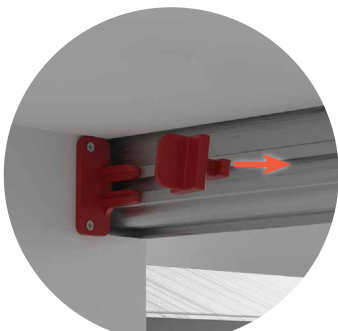
4. If used push Worktop End Caps onto Rail ends.



5. Install Fixing Clips (large) using screws provided, to the inside of every end panel, in the pre-drilled holes (alongside each notch).



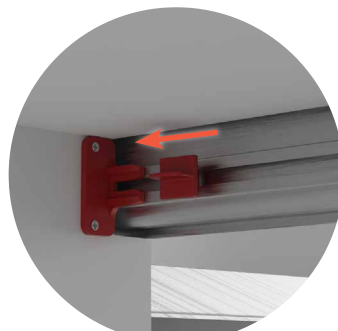
6. Install Worktop Rail into notches and fasten into place using the Fixing Clips (see below)



Install



Rotate

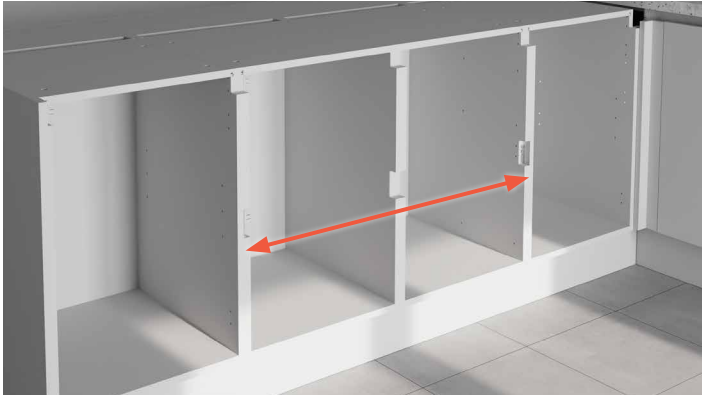


Slide into position

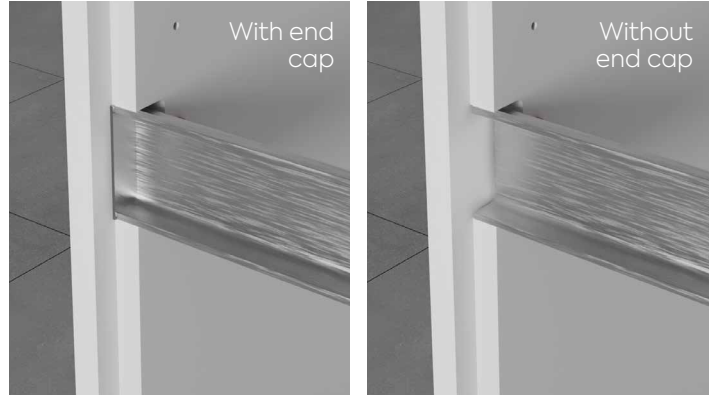


6. Install Fixing Clips (small) into slotted grooves in the rear face of the Rail and lock into large fixing clip.

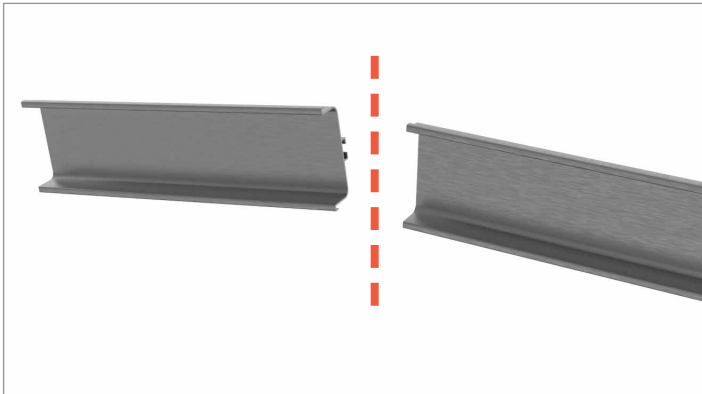
Drawer Rail Installation



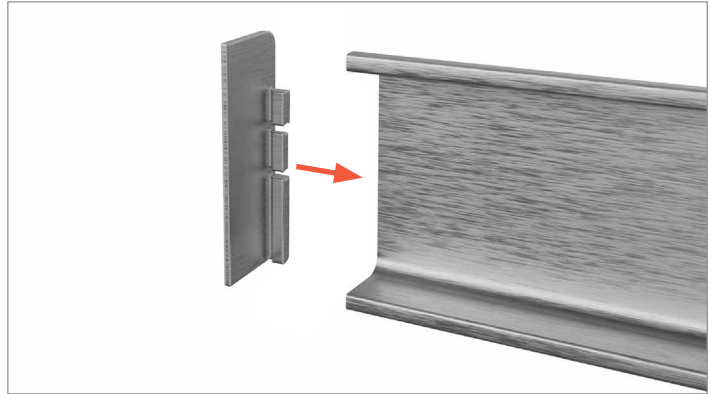
1. Carefully measure the distance between end panels.



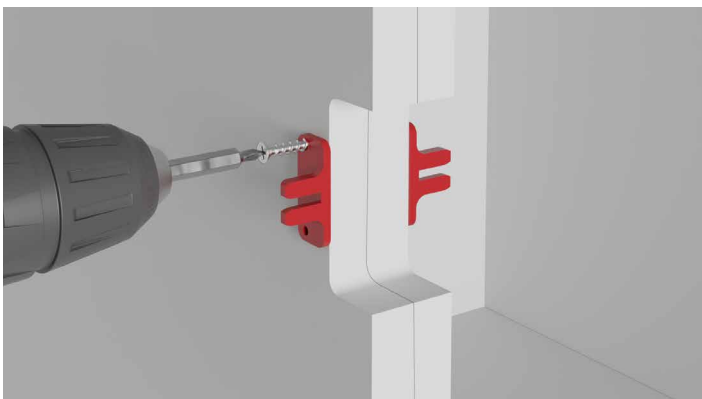
2. End caps are optional; subtract 2mm off the trim length for every end cap used



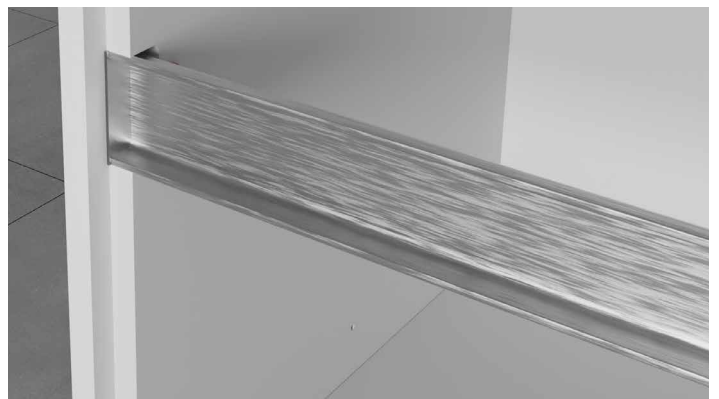
3. Cut Drawer Rail to required length using an aluminium cutting blade.



4. If used push Drawer End Caps onto Rail ends.



5. Install Fixing Clips (large) using screws provided, to the inside of each end panel in the pre-drilled holes (alongside each notch).



6. Install Drawer Rail into notches and fasten into place using the Fixing Clips (see below)



Install



Rotate



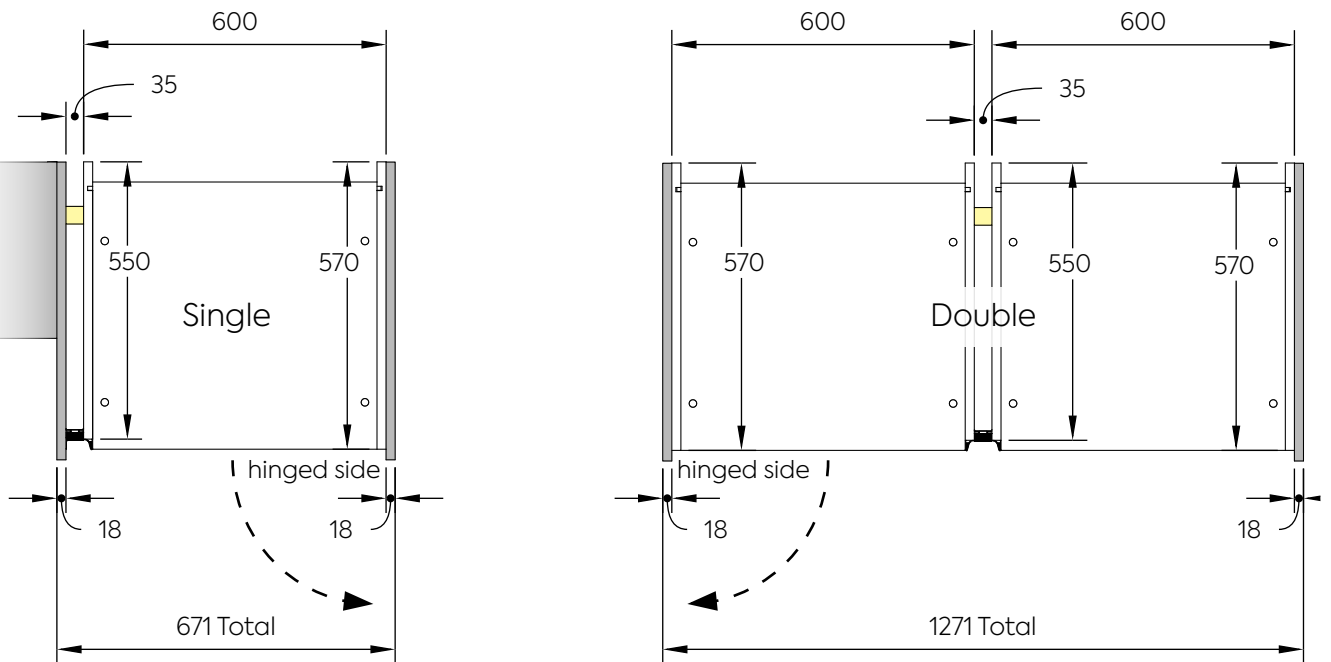
Slide into position



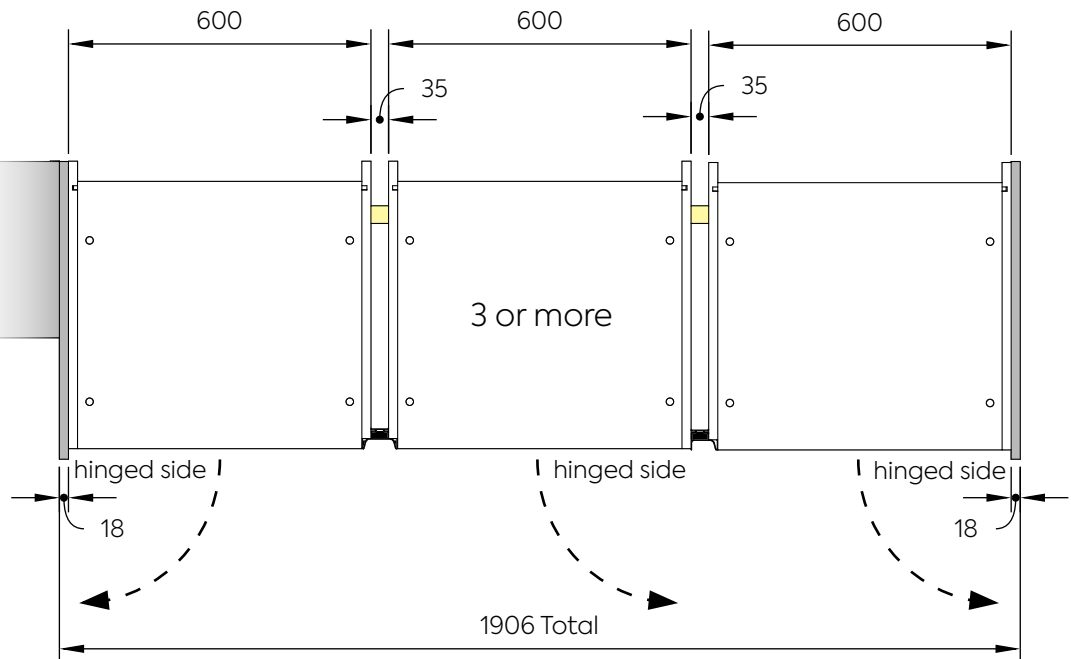
6. Install Fixing Clips (small) into slotted grooves in the rear face of the Rail and lock into large fixing clip.

Tower Units

Two types of vertical rail profile are available; one for use at end of run and one for use at mid-run. For the cabinet, two sizes of end panel are supplied – one is full depth (570mm) for use at the hinged side, the other is reduced depth (550mm) end panel for use at the vertical rail side.



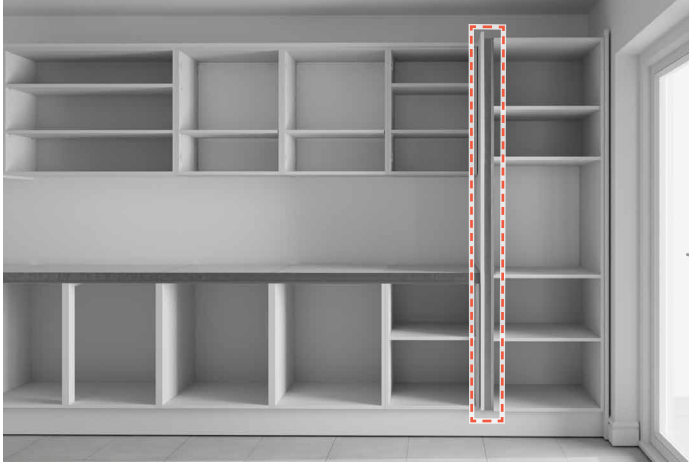
As shown, for single units the aluminium end profile is used, and for two cabinets, the mid-run profile provides handle access for both cabinets in the centre.



For three or more cabinets, please consider the types and quantities of vertical rails required.

Tower Units (continued)

Vertical End Rails



1. Allow 35mm between cabinet and clad on décor panel, use wooden spacers at the back of the cabinet to keep everything in line.

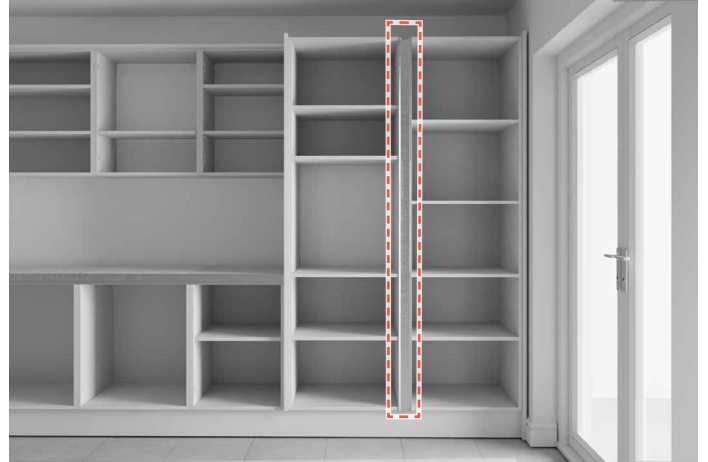


2. This shows the required position of the Vertical End Rail between clad on décor panel and cabinet.



3. Clamp the assembly securely together and using 35mm x 4.0mm screws attach the Rail from inside of the cabinet.

Vertical Mid Rails



1. When two towers are used as a pair you'll need to use a vertical mid rail. Allow 35mm between cabinets by using wooden spacers to keep everything in line.



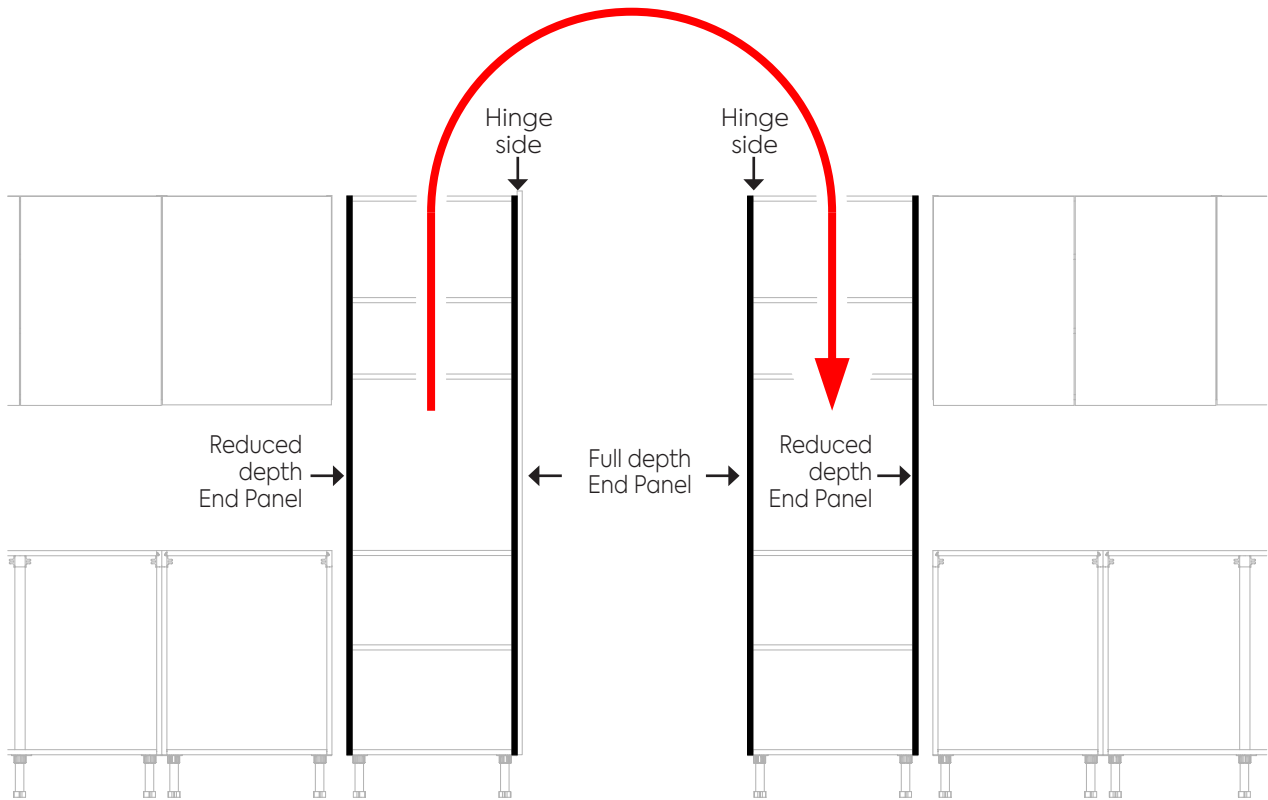
2. This shows the position of the Vertical Mid Rail between two cabinets.



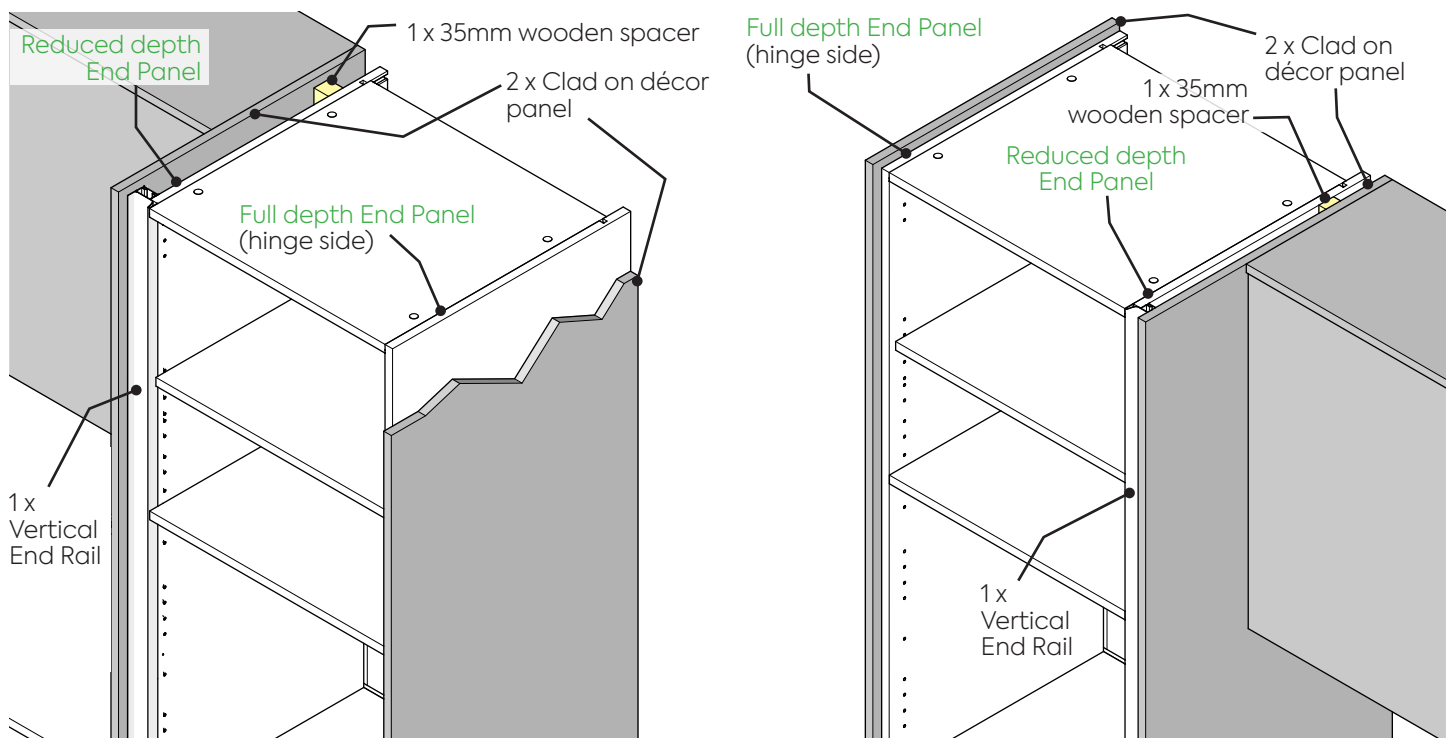
3. Clamp the assembly securely together and using 35mm x 4.0mm screws attach the Rail from inside of the cabinet.

Vertical Rail combinations with Tower Units

Please note that the cabinet is universally drilled as Left Hand/Right Hand, so consider this prior to fitting the adjustable feet, depending on door hinging requirements (see below)



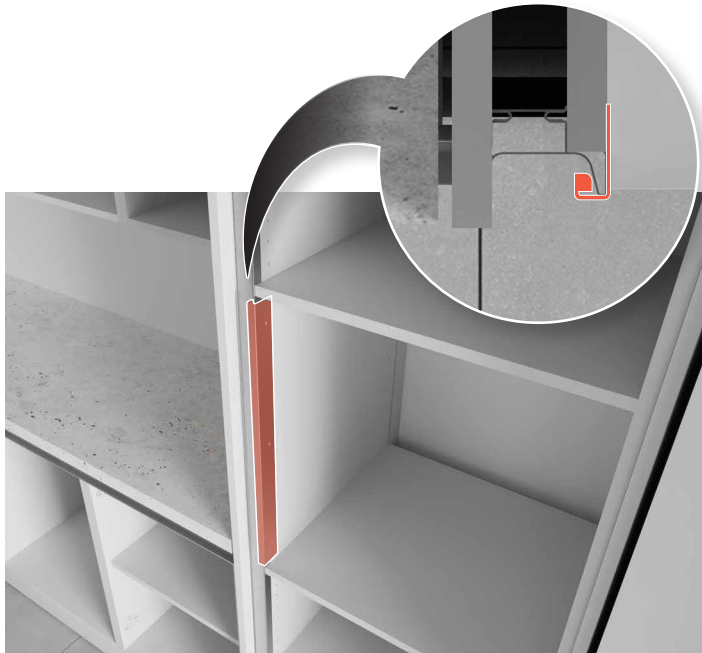
Clad on décor panels are then fitted to the exteriors.



Tower Units (continued)

Oven Profile

Before an oven is installed in a Tower Unit an Oven Profile must be fitted to provide a flat, even surface to fix the appliance into position. Note how the oven profile sits on top of the vertical rail, to create a flat fixing surface.



1. The oven profile is fixed to the inside face of the cabinet – the male/female joint provides a flat surface to fix the oven into position.



2. Screw fix into position.

Double Ovens & Oven/Microwaves

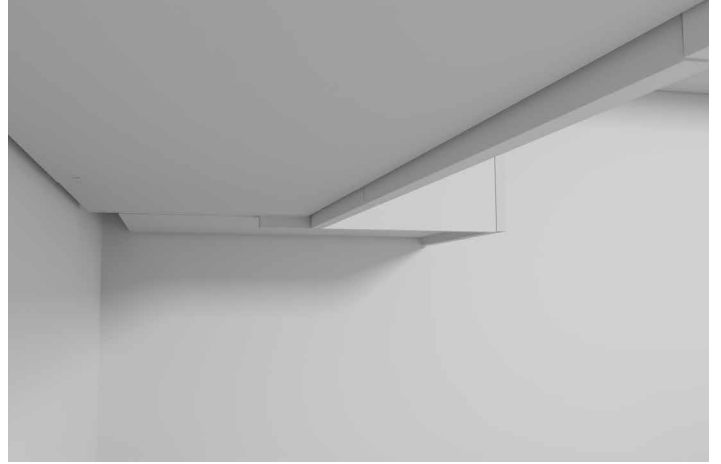
For Double Ovens (or combinations of oven) taller than a single oven, multiple profiles can be butt jointed together – simply cut to length as required.

Wall Cabinets

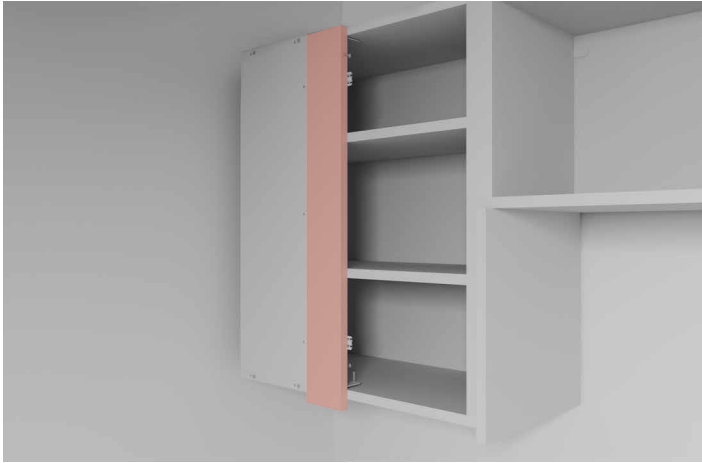
The Kitchen Kit True Handleless system uses standard height wall cabinets with overhanging doors to give a flush finish.



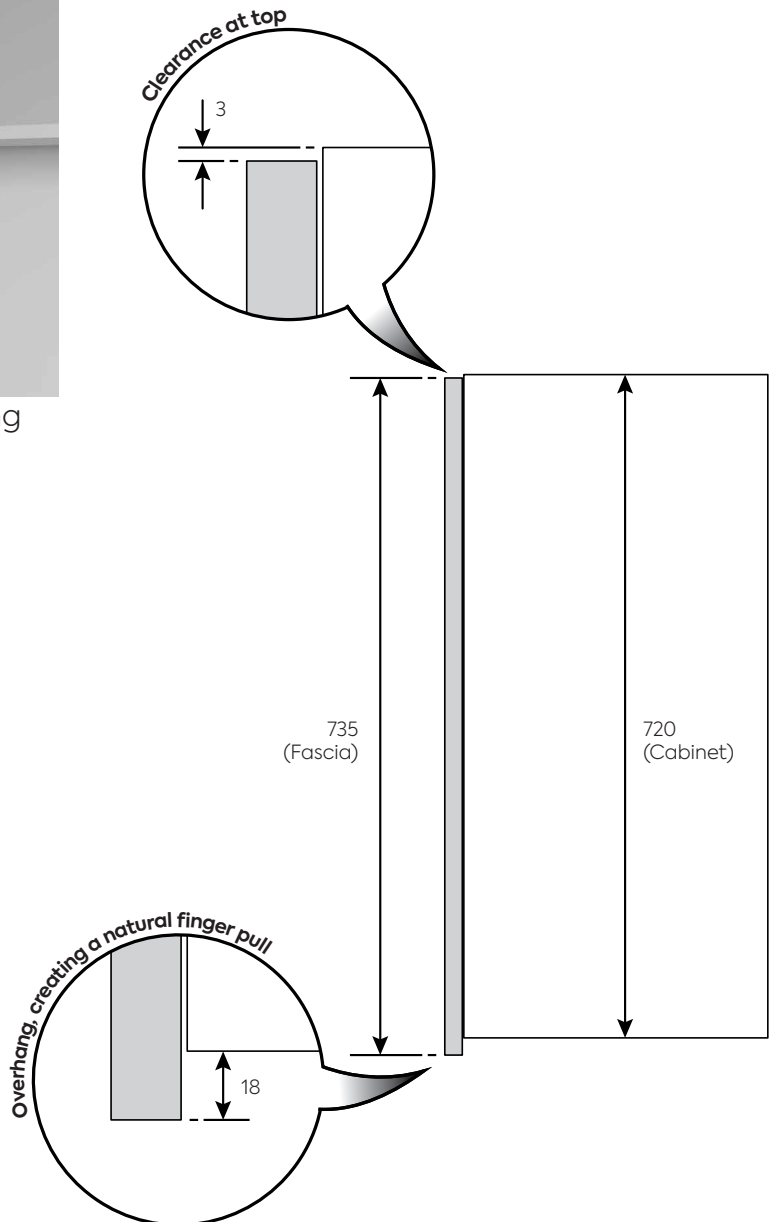
1. Standard wall cabinets are used.



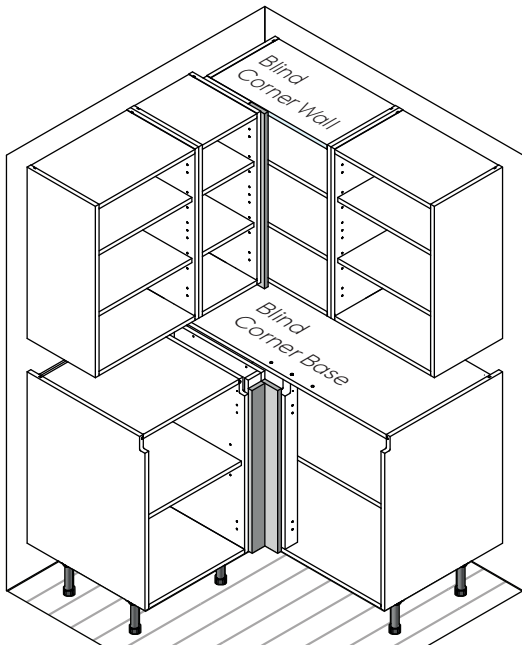
2. Doors overhang wall units by 18mm, creating a natural finger pull. See diagram below.



3. On a blind corner wall unit the door hanging post is oversized to match the door.



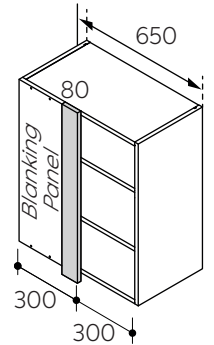
Blind Corner Units



Blind Corner units use standard base & wall cabinets, together with a corner blanking panel & corner post. Standard door and cabinet combinations are shown below. The system can be further tailored during installation by trimming the corner post and positioning of the cabinetry as shown opposite.

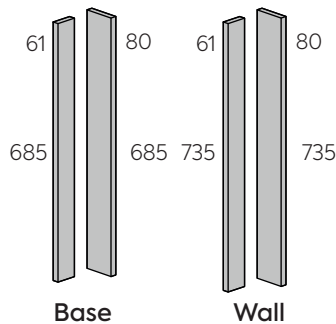
Standard Blind Corner Wall Unit (650 x 350)

This uses a standard 600 cabinet, together with a 300 door. Only one part of the corner post is required (80mm), together with blind corner hinges, which are used to hang the door off the rear face of the 80mm panel. The 61mm corner return is also supplied, should the unit need adjustment as shown opposite.



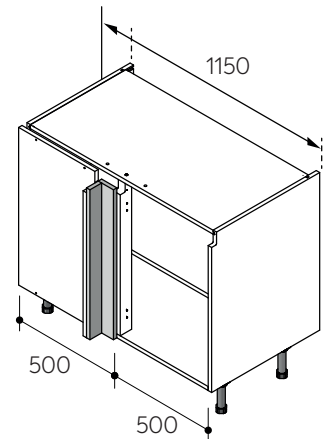
Two Part Corner Post

This is supplied in flat format to allow customisation on-site. In it's maximum size, it measures 80 x 80mm when assembled. The 80mm piece is pre-drilled on the rear face for hinge mounting plates (Blind Corner Wall unit Door Hanging).



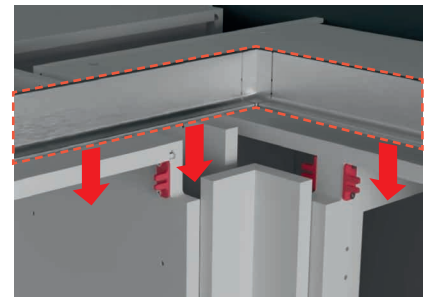
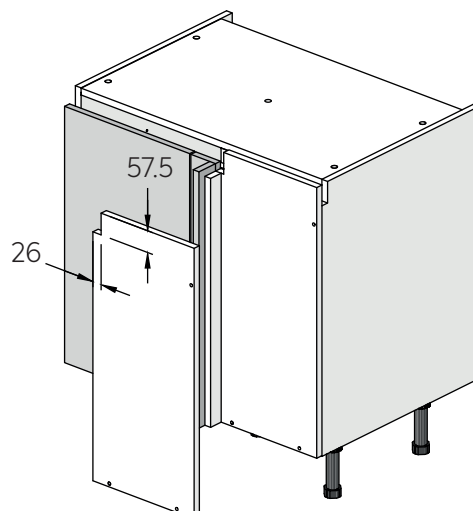
Standard Blind Corner Base Unit (1150 x 650)

This uses a standard 1000mm base cabinet, together with a 500mm door – other combinations are available, see below. Both parts of the corner post are required, and can be modified during installation as shown opposite.



Blanking Panel

Notch the corner blanking panel as shown to allow the worktop rail to fit around the corner.



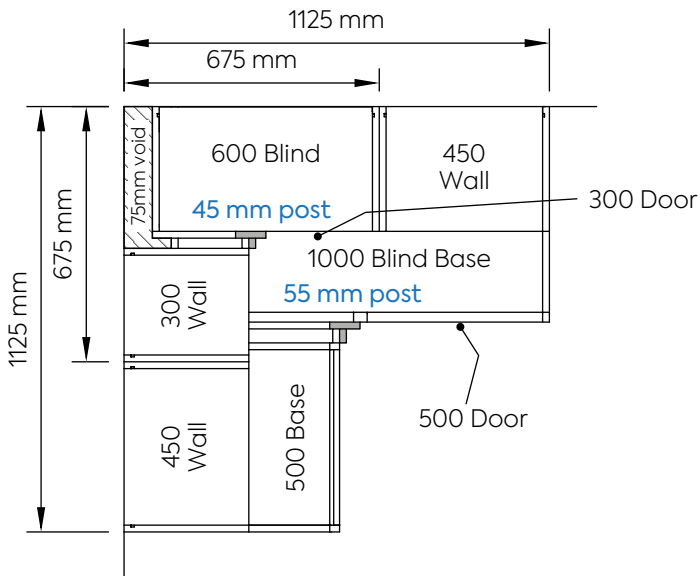
Blind Corner Units (continued)

Flexible Corner Planning

The nature of the two-part corner post is inherently flexible – it can be tailored during installation to achieve any corner configuration size required. This can be used when planning the overall kitchen design to remove the need for unsightly infill strips.

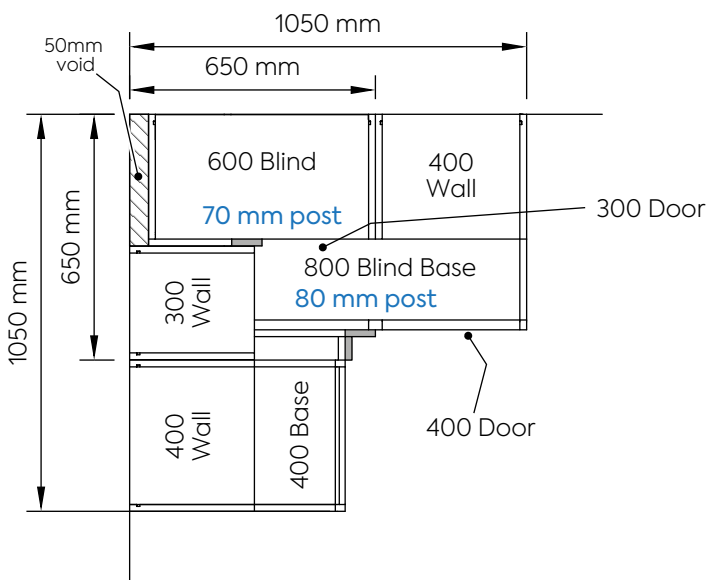
Two typical specimen examples are shown below, however the corner planning options are limitless with a degree of thought, and careful planning.

Note: the 80 mm panel does not need trimming in any scenario – the relevant base or wall cabinet is simply positioned further in (or out) of the corner, creating more (or less) reveal of the 80 mm panel. The 61 mm return piece is then trimmed and positioned accordingly.



Example 1 – 1125mm Corner

- The blind corner wall cabinet is set at 675 mm, with a 75 mm void – making the corner post footprint 45 x 45 (26 x 26 visible)
- Standard 450 mm wall units are used to align with the base units below
- The 1000 mm blind corner base is set at 1125 mm, with a 125 mm void – making the corner post footprint 55 x 55 (36 x 36 visible).

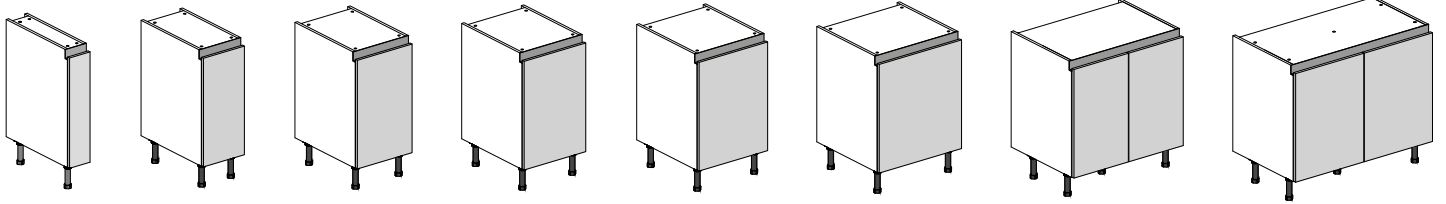


Example 2 – 1050mm Corner

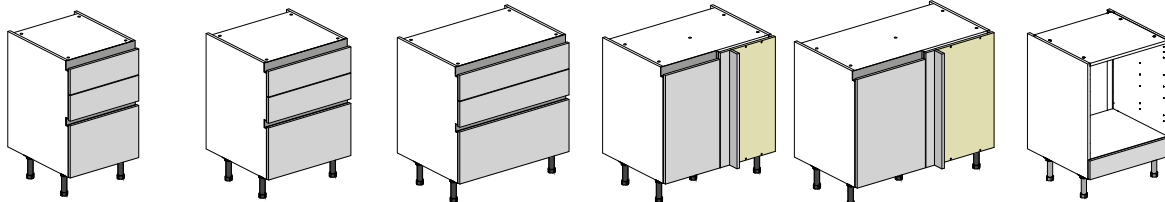
- The blind corner wall is set at 650 mm, with a 50 mm void – making the corner post footprint 80 x 18 (using only the 80 mm piece).
- Standard 400/300 mm wall units are used to align with the base units below
- The 800 mm blind corner base is set at 1050 mm, with a 250 mm void – making the corner post footprint 80 x 80 (does not need trimming) and a 400 mm base return unit.

Range Content

Base Cabinets



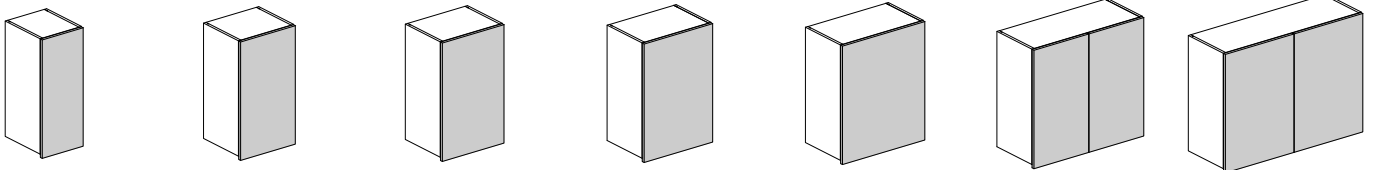
150 300 400 450 500 600 800 1000



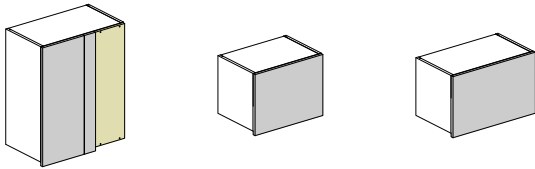
500 3-Drawer 600 3-Drawer 800 3-Drawer 800 Blind Corner 1000 Blind Corner 600 BU Oven

This is a standard BU Oven cabinet without notches

Wall Cabinets

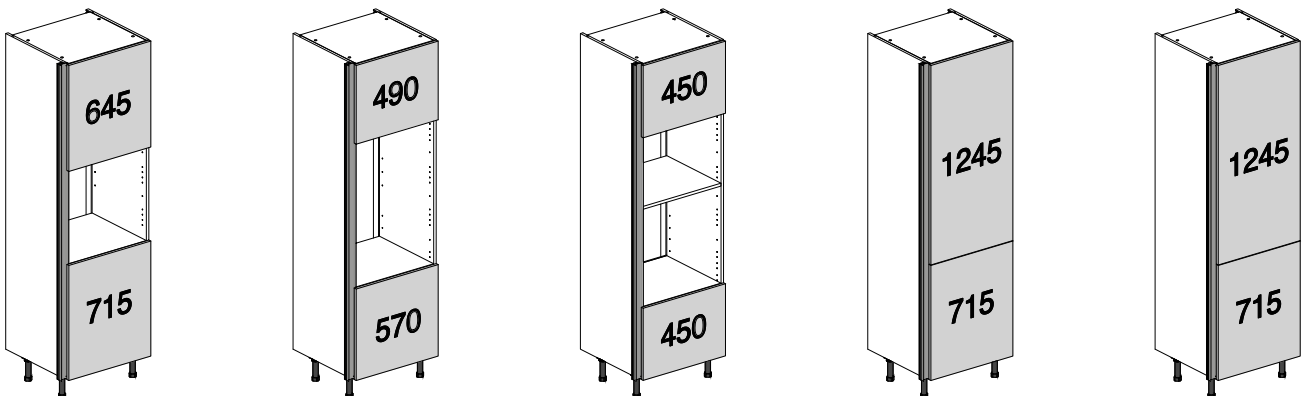


300 400 450 500 600 800 1000



650 Blind Corner 500 Bridging 600 Bridging

Tower Units



Single Oven Double Oven Single Oven & Micro Integrated Fridge/Freezer 300/500/600 Larder

KITCHEN KIT

TRADE KITCHENS **MADE EASY**

**UK MANUFACTURED,
LEADING QUALITY &
ON-TREND DESIGN**

EASY TO CHOOSE

EASY TO BUY

EASY TO BUILD

Your Local Depot:

Virtual Depot Support T +44 (0)333 666 5999
customerservices@kitchenkit.co.uk
kitchenkit.co.uk

Merchant Support T +44 (0)1302 794333
merchant@kitchenkit.co.uk
merchant.kitchenkit.co.uk

KITCHEN KIT
Sandall Stones Road, Kirk Sandall, Doncaster
South Yorkshire DN3 1QR

For terms & conditions please visit the website.



We make every effort to ensure the accuracy of information in this Product Guide. However, we reserve the right to change at any time without notice, information contained in this document and make no warranties or representation as to its accuracy.