

Fittings

N 15mm Screws



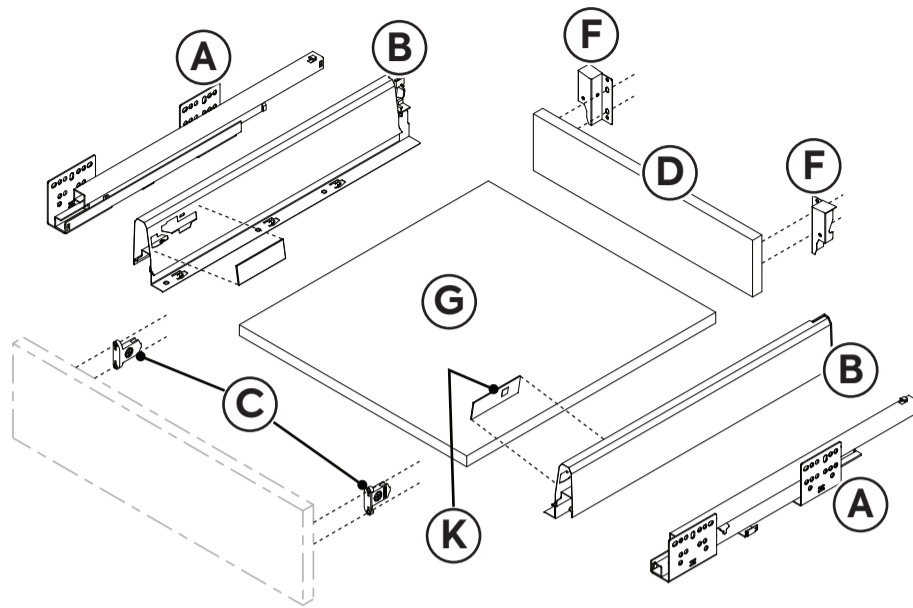
x 48

P 17mm screw for
Drawer Front fixing

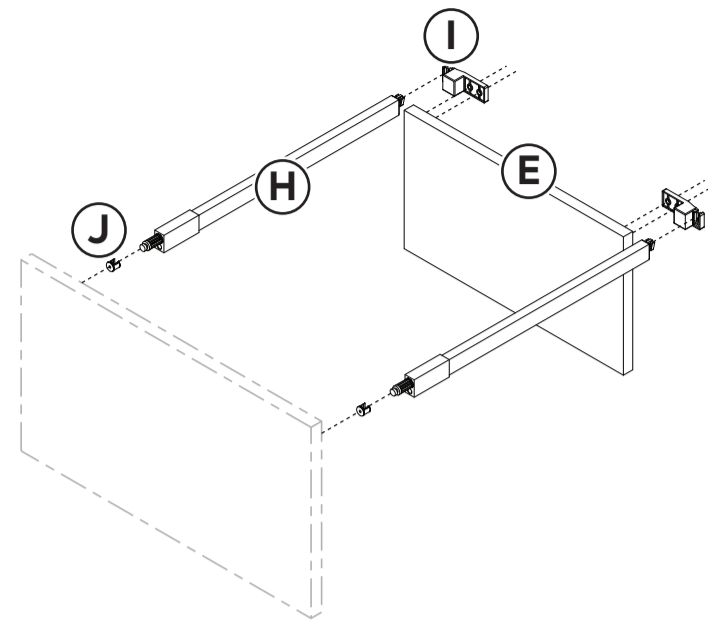


x 12

- (A) Drawer Runner (Pair) x 3
- (B) Drawer Side (Pair) x 3
- (C) Front Fixing Bracket x 6
- (D) Top Drawer Back Panel x 1
- (E) Pan Drawer Back Panel x 2
- (F) Corner Back Bracket LH & RH – 3 pairs
- (G) Drawer Base x 3
- (H) Gallery Rail x 4
- (I) Back Panel Clip for Gallery Rail x 4
- (J) Front Clip for Gallery Rail x 4
- (K) Side Cover Cap x 6



Top Drawer x 1
(assembled)

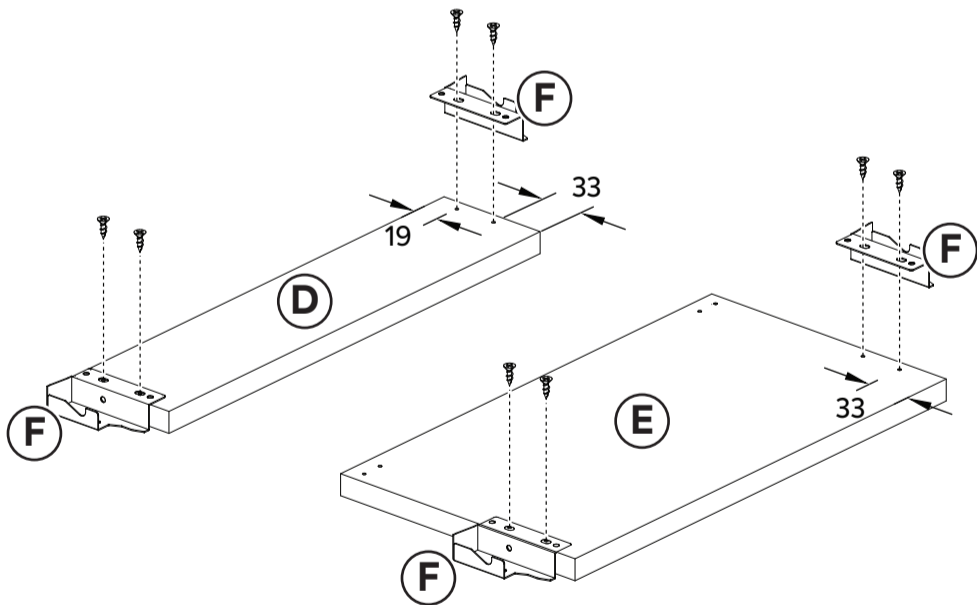


Pan Drawer x 2
(assembled)

Assembly

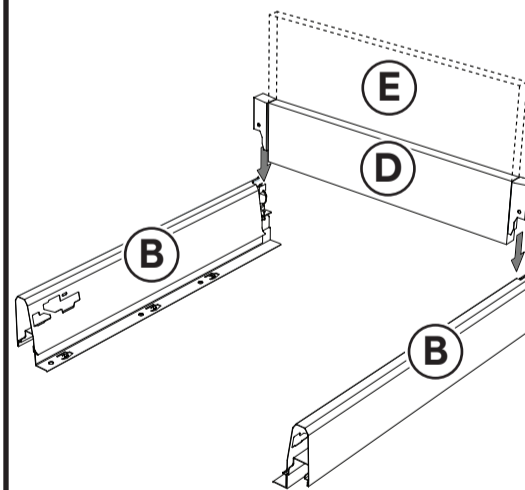
1

Using Screws (N) attach the two Corner Back Brackets (F) to Top Drawer Back Panel (D) and Pan Drawer Back Panel (E) x 2.



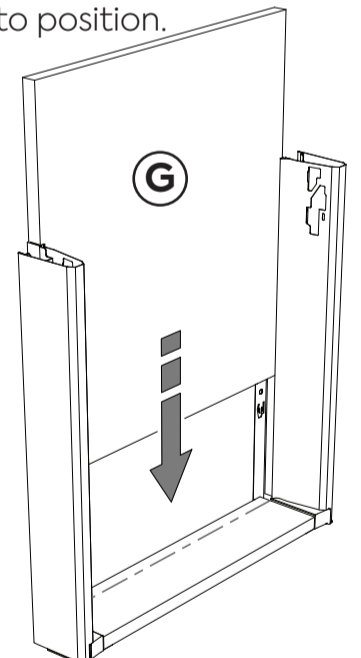
2

Slide Drawer Back Panel (D) or (E) between two Drawer Sides (B) x 3 pairs.



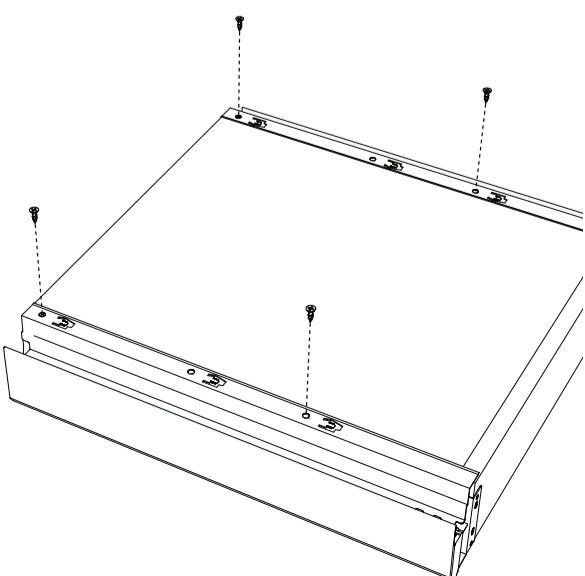
3

Slide the Drawer Base (G) into position.



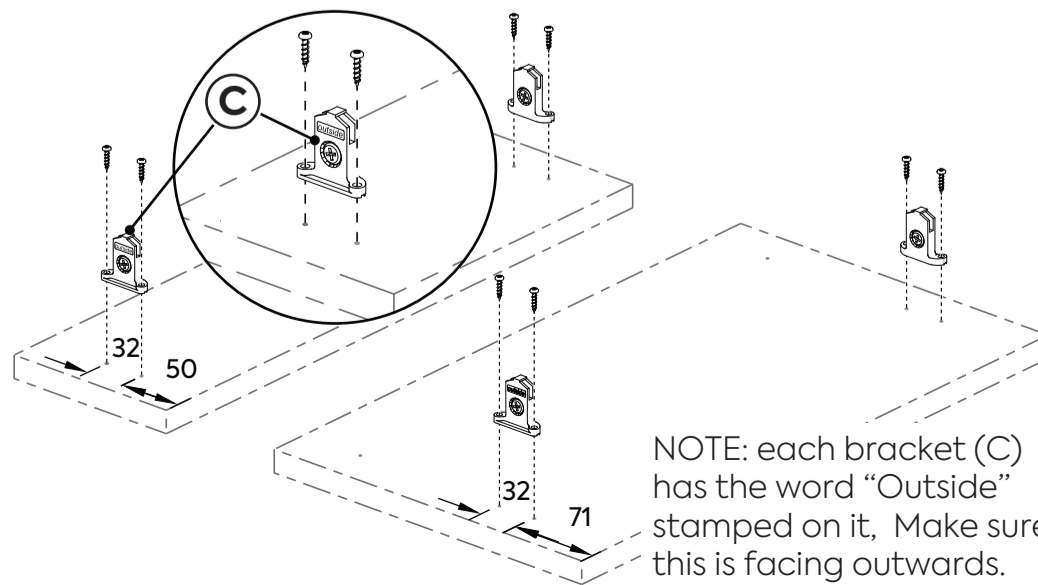
4

Turn the drawers over and fix base using 15 mm screws (N)



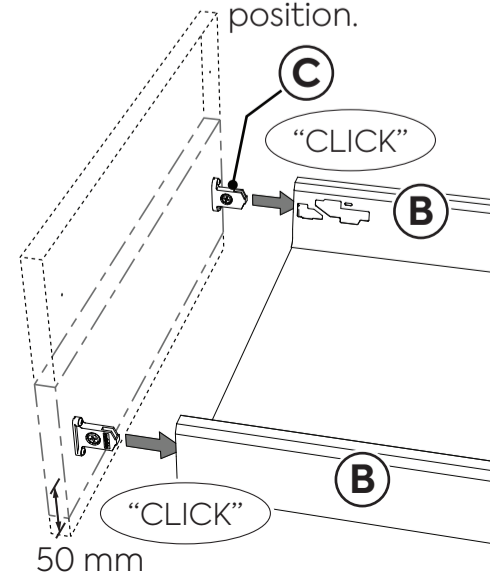
5

Using 17 mm Screws (P) attach the two Front Fixing Brackets (C) to the Top Drawer Front and Pan Drawer Front x 2.

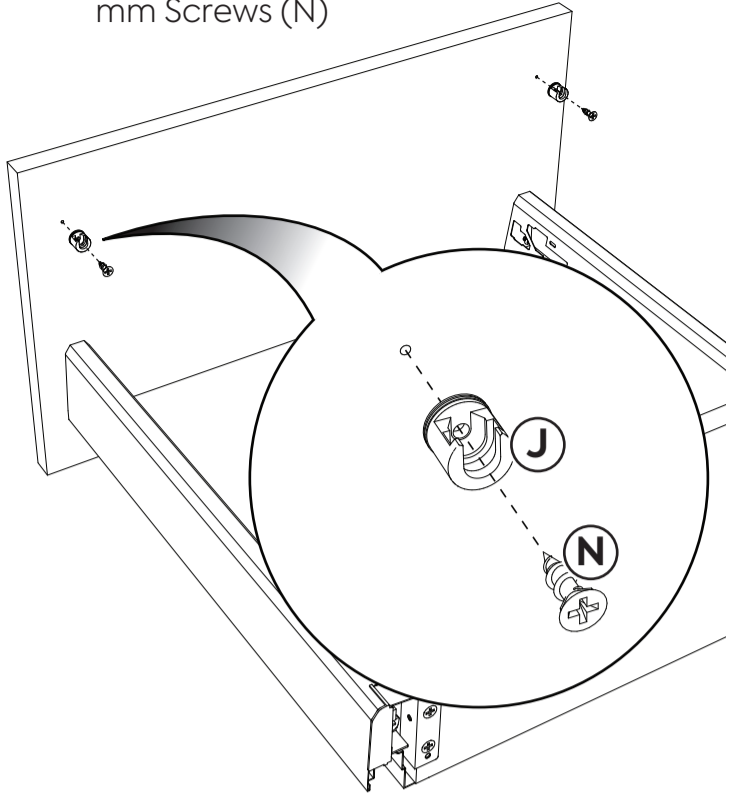


6

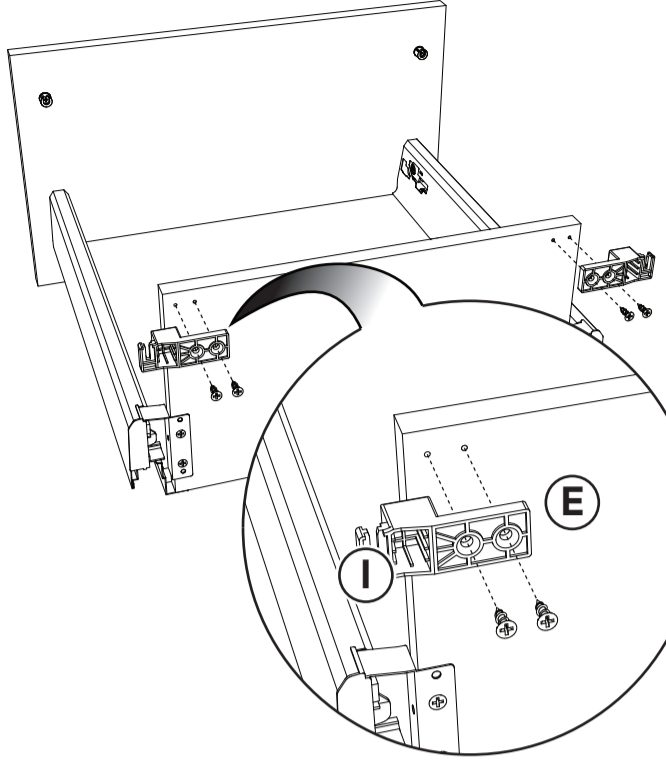
Push Drawer Front into Drawer Sides (B), as shown, so Brackets (C) click into position.



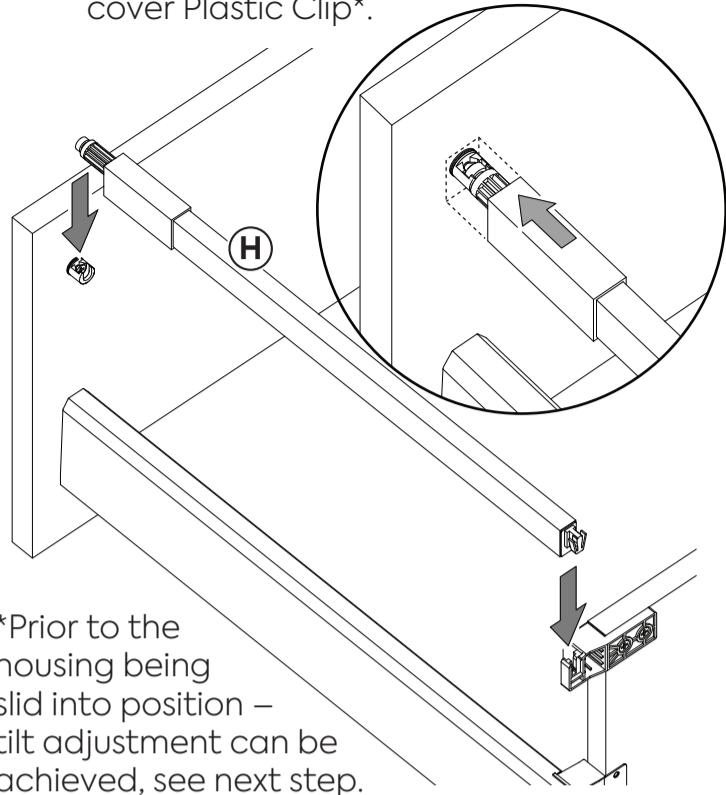
7 Attach Front Clip for Gallery Rail (J) to rear of the Pan Drawer Front using 15 mm Screws (N)



8 Attach Back Panel Clip for Gallery Rail (I) to rear of the Pan Drawer Back Panels (E) using 15 mm Screws (N)

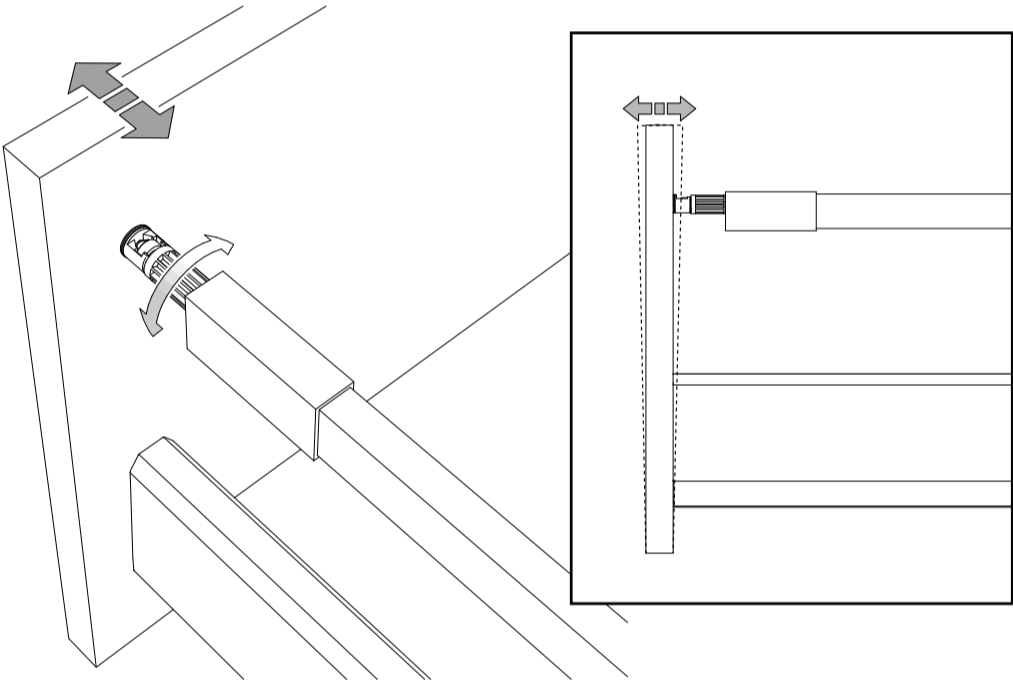


9 Attach Gallery Rails (H) to Pan Drawer Box as shown. Slide plastic housing to cover Plastic Clip*.

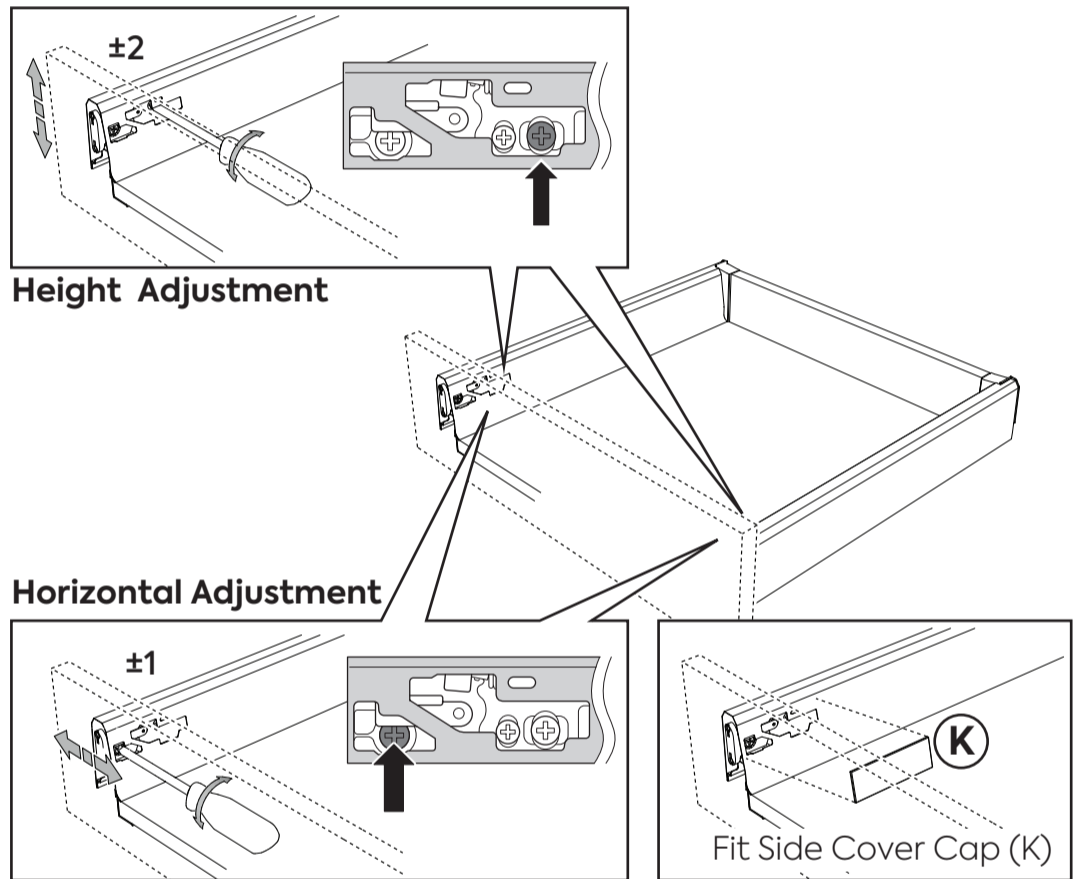


*Prior to the housing being slid into position – tilt adjustment can be achieved, see next step.

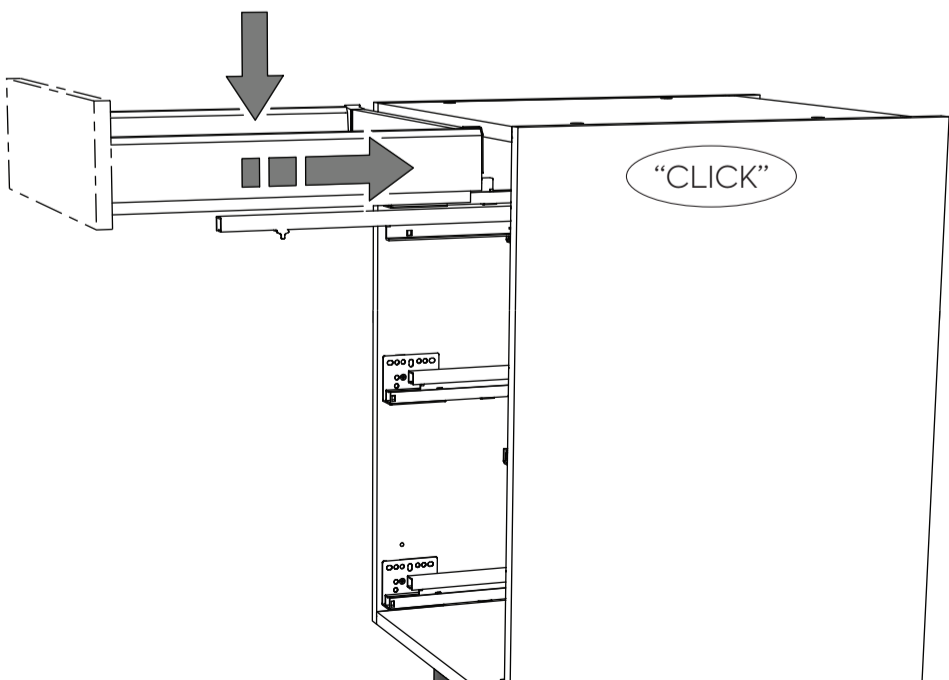
10 Pan Drawer Fascia tilt adjustment. Prior to the plastic housing being slid into position – tilt adjustment is achieved by rotating the circular front section of the gallery rail.



11 Drawer Fascia height and horizontal adjustment



12 Fitting Drawer. Pull runners forward. Lay drawer on runners and push home until you hear a click.



13 Drawer Removal. Pull drawer out and up in one fluid motion.

