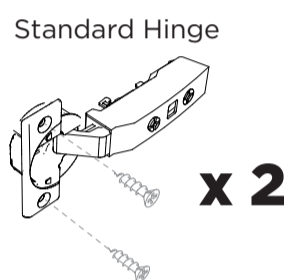
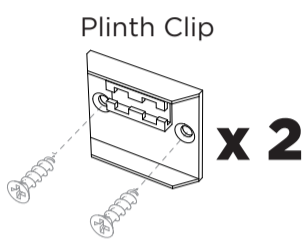
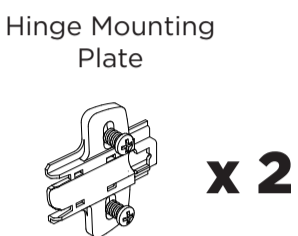
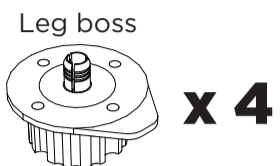
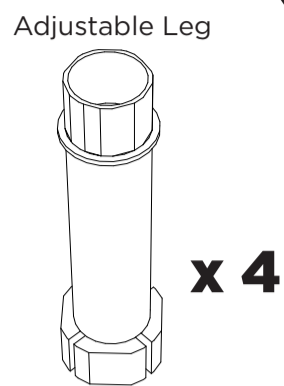
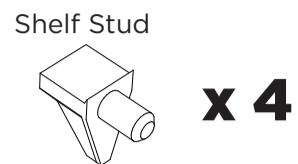
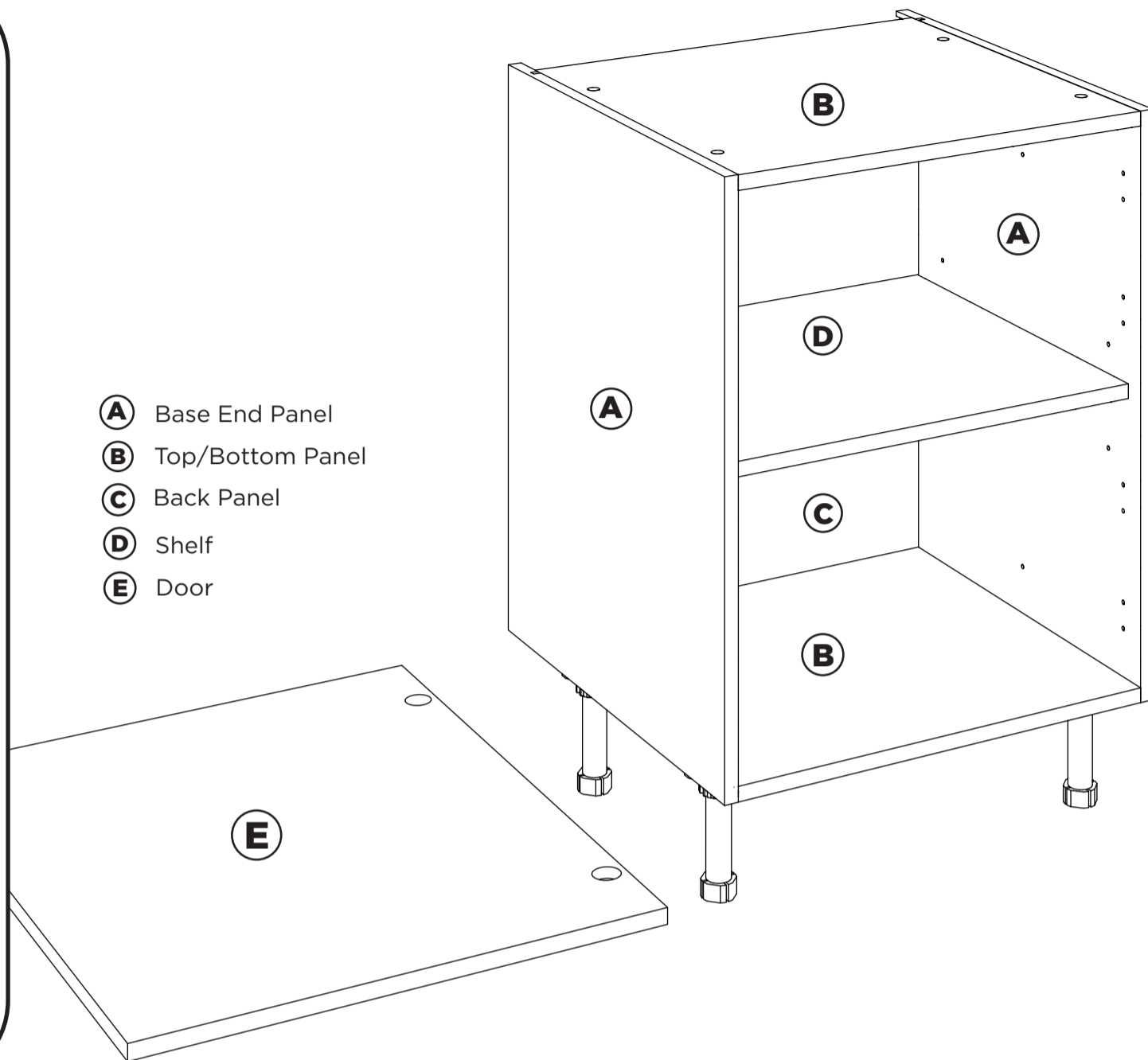


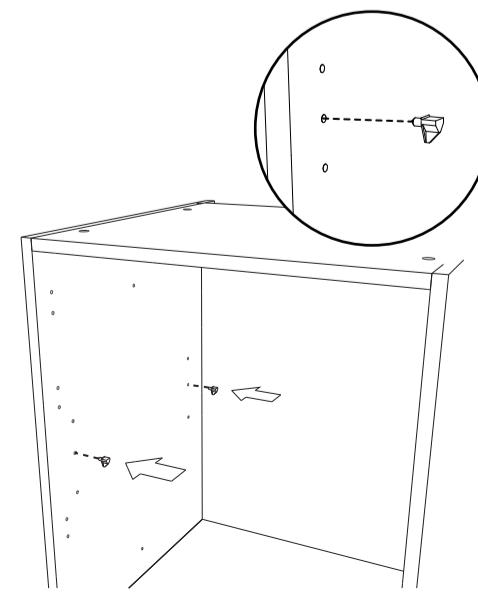
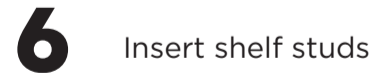
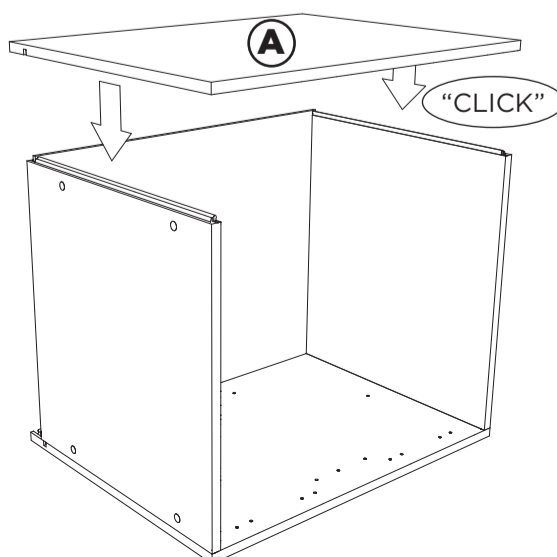
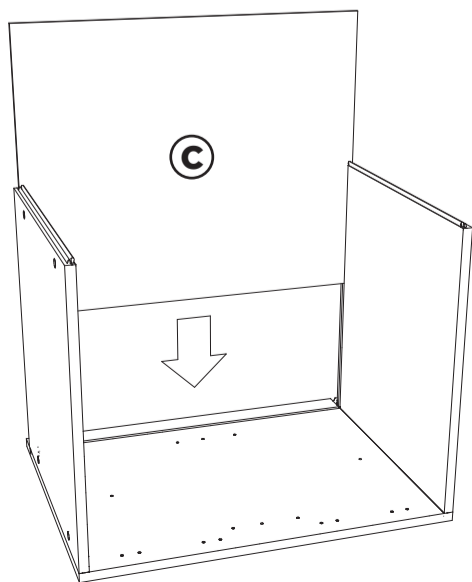
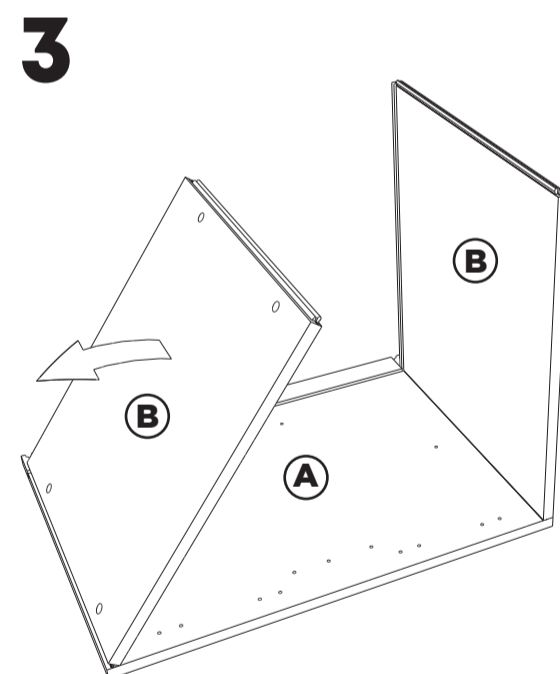
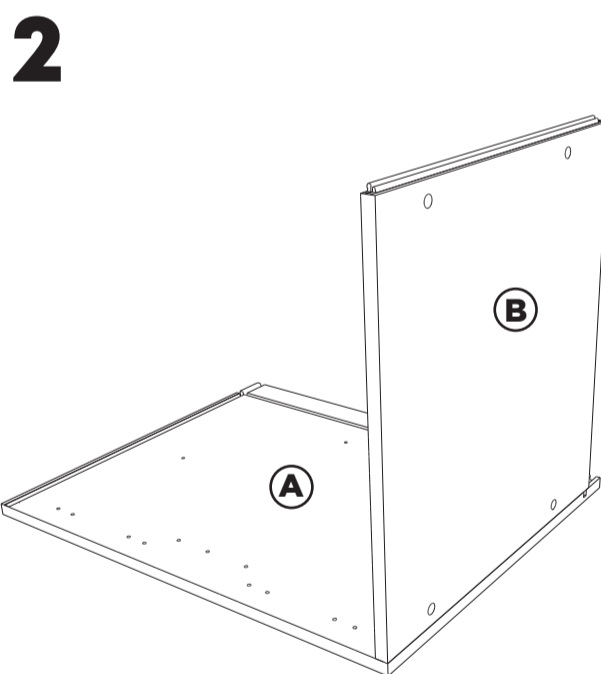
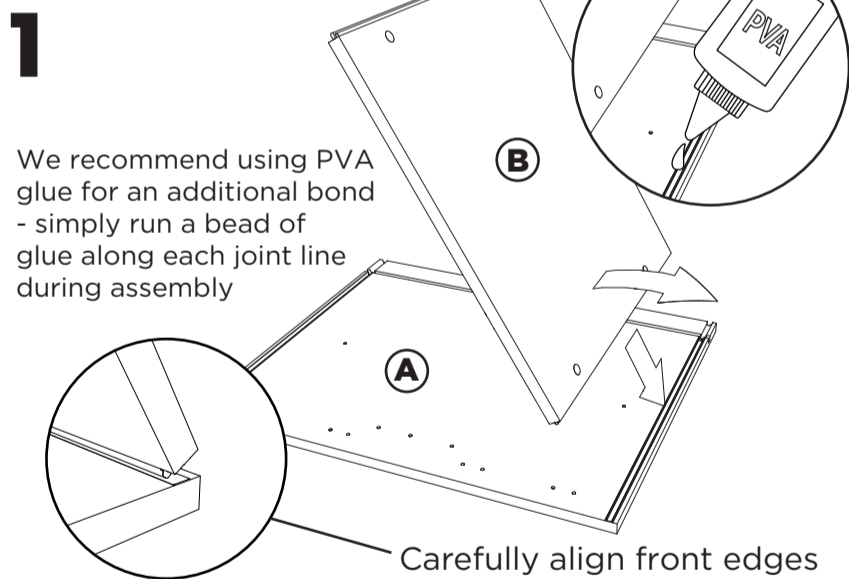
Fittings



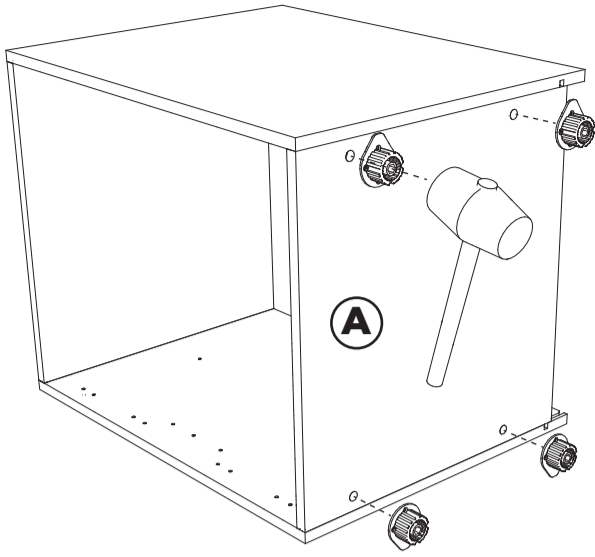
- (A)** Base End Panel
- (B)** Top/Bottom Panel
- (C)** Back Panel
- (D)** Shelf
- (E)** Door



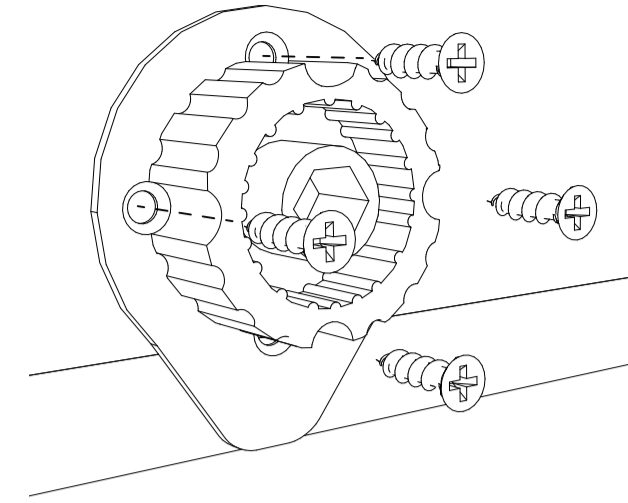
Assembly



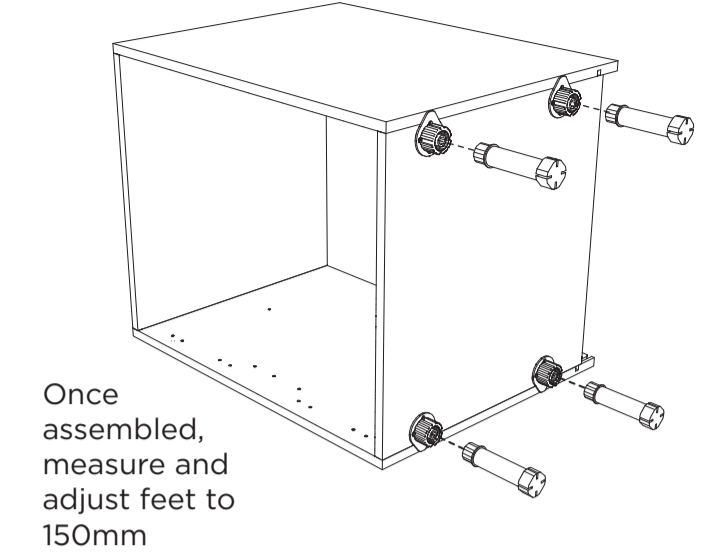
7 Gently tap leg boss into place



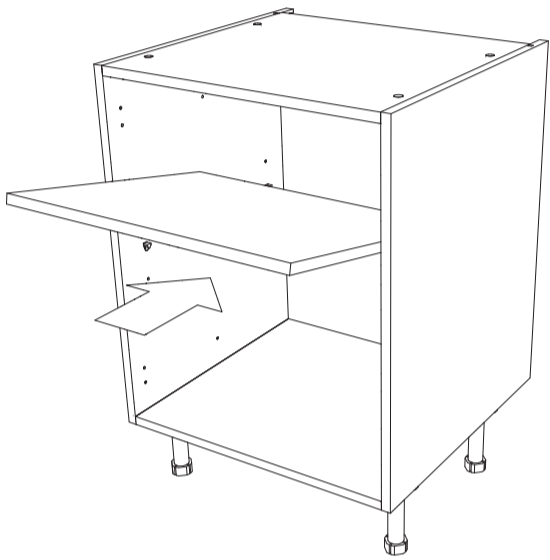
8 Screw leg boss in place



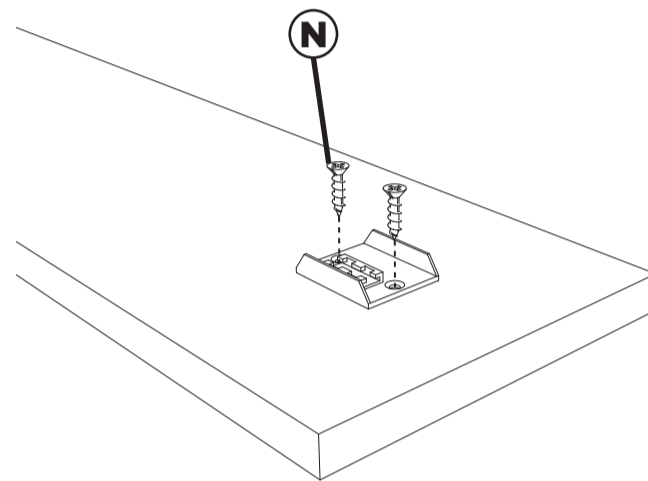
9 Insert adjustable legs into leg boss



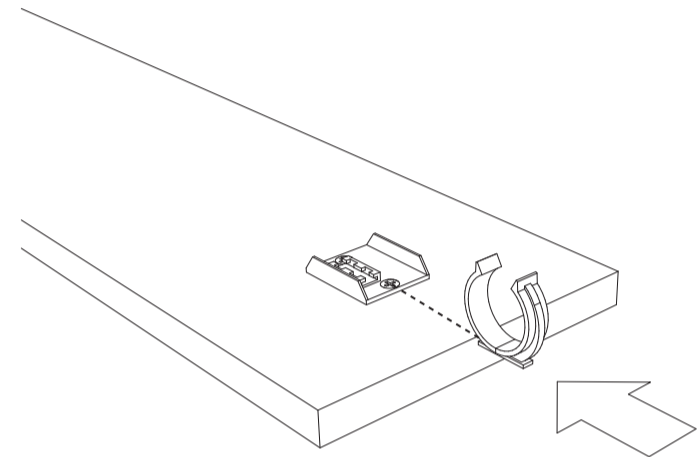
10 Slide shelf D into position



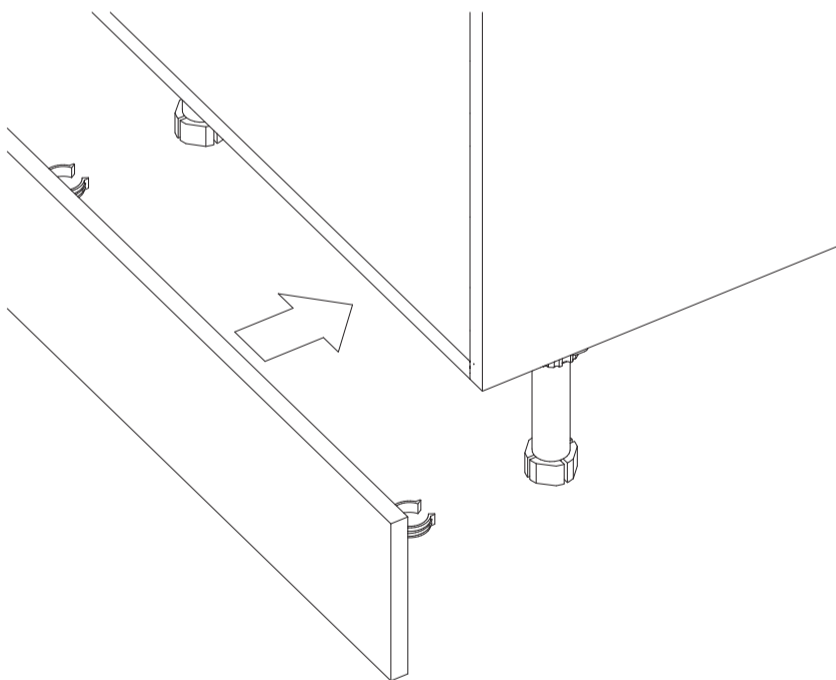
11 Attach plinth clip to plinth



12 Slide circular leg clip into plinth clip



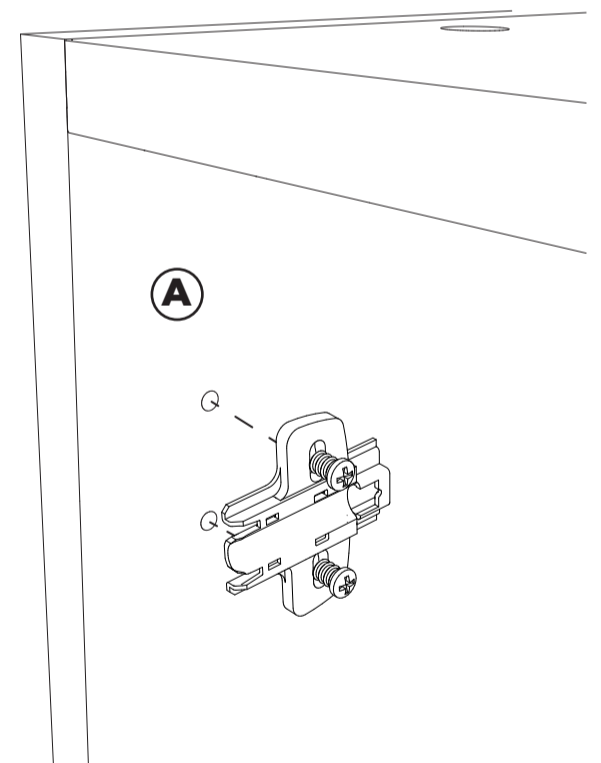
13 Fix plinth into place



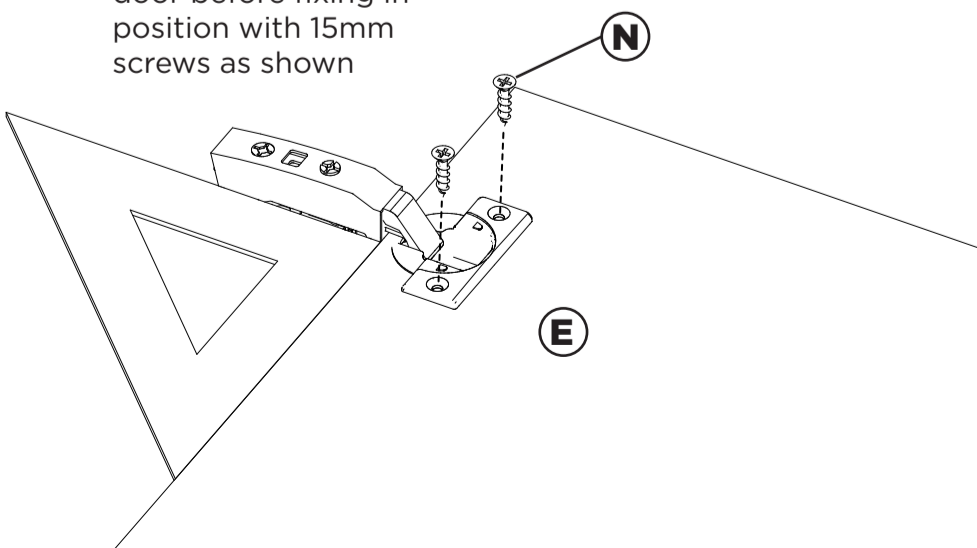
14

Attach hinge mounting plate to inside of end panel A

Ensure the front edge faces forward as shown



15 Ensure the hinge arm is at 90 degrees to the door before fixing in position with 15mm screws as shown



16

Hinge adjustment

